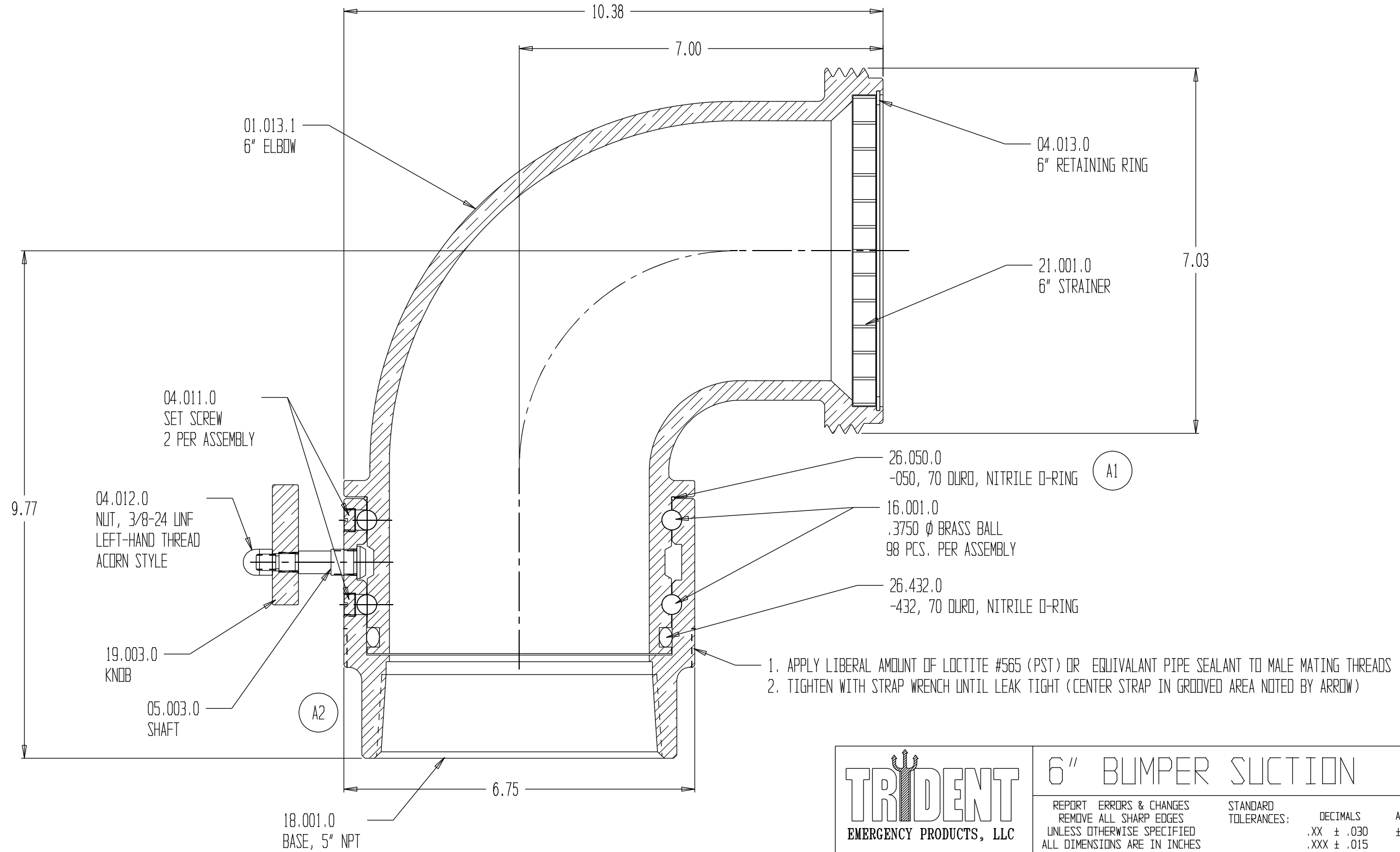


REVISIONS				
REV	DESCRIPTION	DATE	DRAWN BY	APPROVED
A	ADDED -050 O-RING, REMOVED TRIM	04/24/2002	MS	MS



 EMERGENCY PRODUCTS, LLC	6" BUMPER SUCTION		
	<small>REPORT ERRORS & CHANGES REMOVE ALL SHARP EDGES UNLESS OTHERWISE SPECIFIED ALL DIMENSIONS ARE IN INCHES</small>	<small>STANDARD TOLERANCES:</small> <small>DECIMALS .XX \pm .030 .XXX \pm .015</small>	<small>ANGLES \pm 1/2$^\circ$</small>
<small>COPYRIGHT \copyright DRAWING NOT TO BE REPRODUCED OR USED TO MAKE OTHER DRAWINGS OR MACHINERY</small>	<small>SIZE .</small> B	<small>DWG NO.</small> 01.013.0	<small>REV</small> A
<small>DRAWN BY MS CHECKED BY MS</small>	<small>DATE 08/14/2001</small>	<small>SCALE 1:2</small>	<small>SHEET 1 OF 1</small>