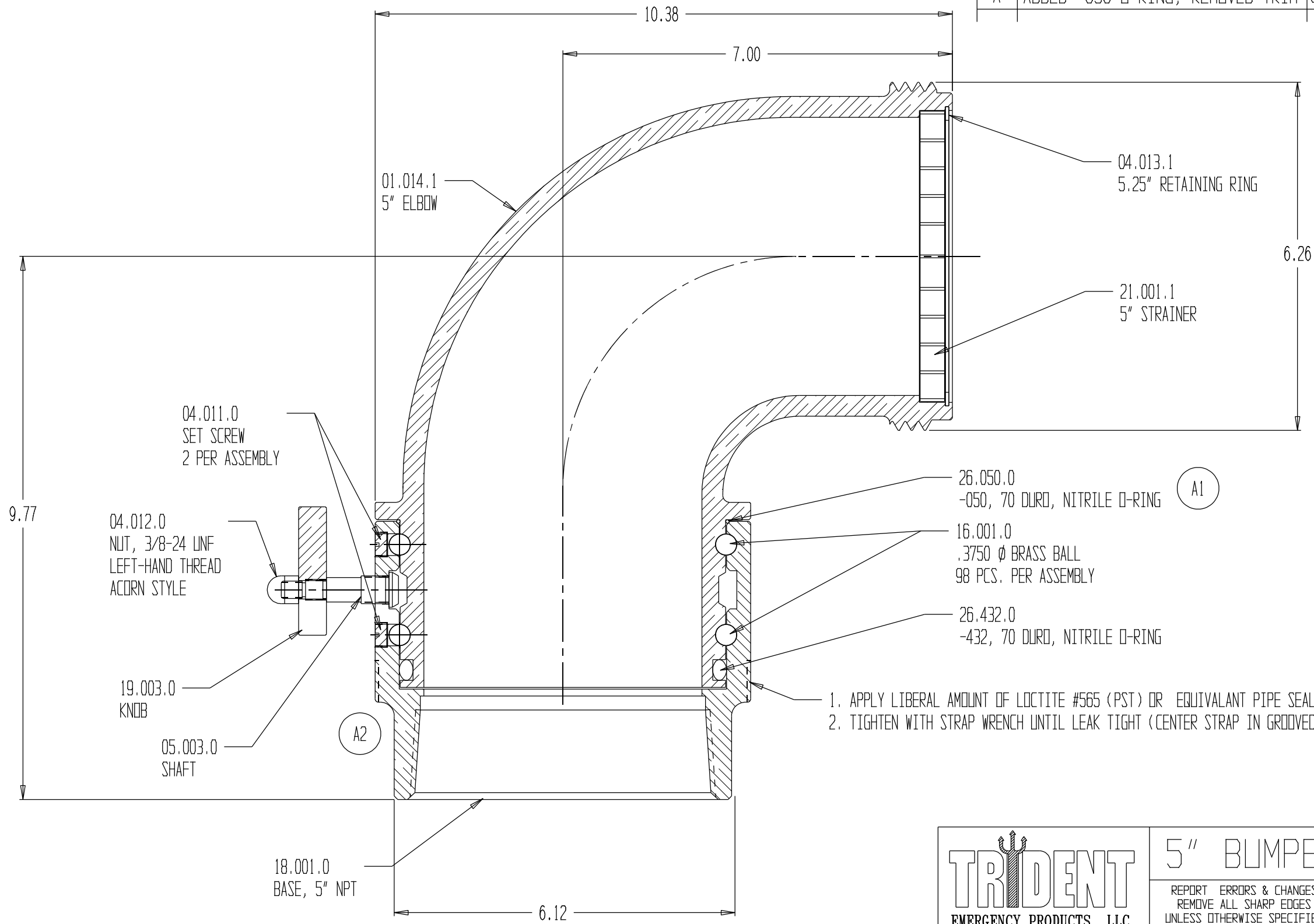


REVISIONS				
REV	DESCRIPTION	DATE	DRAWN BY	APPROVED
A	ADDED -050 O-RING, REMOVED TRIM	04/24/2002	MS	MS



04.011.0
SET SCREW
2 PER ASSEMBLY

04.012.0
NUT, 3/8-24 UNF
LEFT-HAND THREAD
ACORN STYLE

19.003.0
KNOB

05.003.0
SHAFT

18.001.0
BASE, 5" NPT

01.014.1
5" ELBOW

04.013.1
5.25" RETAINING RING

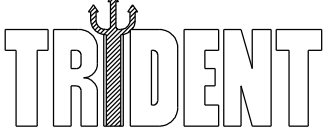
21.001.1
5" STRAINER

26.050.0
-050, 70 DURO, NITRILE O-RING

16.001.0
.3750 ϕ BRASS BALL
98 PCS. PER ASSEMBLY

26.432.0
-432, 70 DURO, NITRILE O-RING

1. APPLY LIBERAL AMOUNT OF LOCTITE #565 (PST) OR EQUIVALENT PIPE SEALANT TO MALE MATING THREADS
2. TIGHTEN WITH STRAP WRENCH UNTIL LEAK TIGHT (CENTER STRAP IN GROOVED AREA NOTED BY ARROW)

 EMERGENCY PRODUCTS, LLC	5" BUMPER SUCTION		
	<small>REPORT ERRORS & CHANGES REMOVE ALL SHARP EDGES UNLESS OTHERWISE SPECIFIED ALL DIMENSIONS ARE IN INCHES</small>	<small>STANDARD TOLERANCES:</small> <small>DECIMALS</small> <small>.XX \pm .030</small> <small>.XXX \pm .015</small>	<small>ANGLES</small> <small>\pm 1/2°</small>
<small>COPYRIGHT © DRAWING NOT TO BE REPRODUCED OR USED TO MAKE OTHER DRAWINGS OR MACHINERY</small>	<small>SIZE</small> B	<small>DWG NO.</small> 01.014.0	<small>REV</small> A
<small>DRAWN BY</small> MS <small>CHECKED BY</small> MS <small>DATE</small> 08/14/2001	<small>SCALE</small> 1:2	<small>SHEET</small> 1 OF 1	