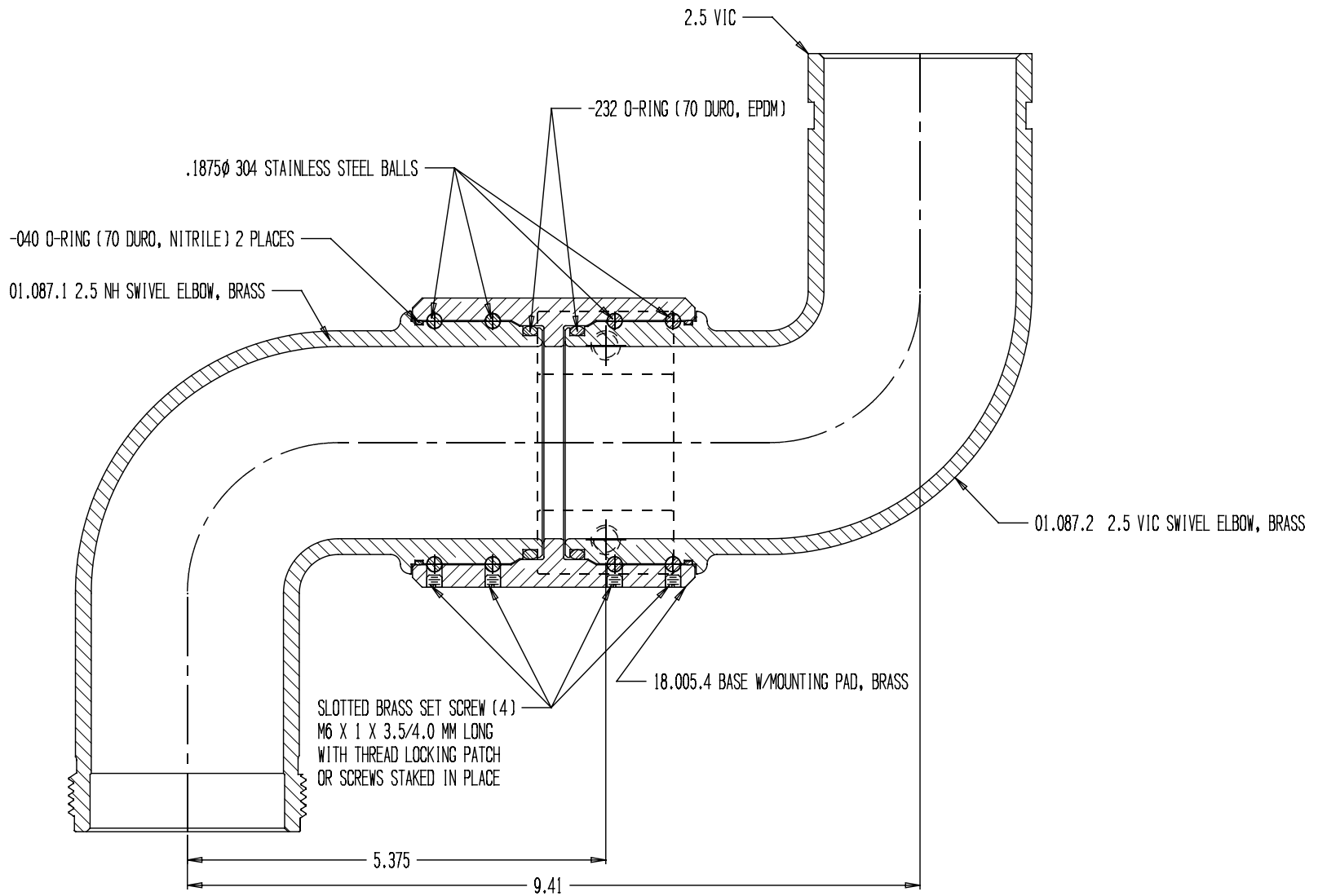
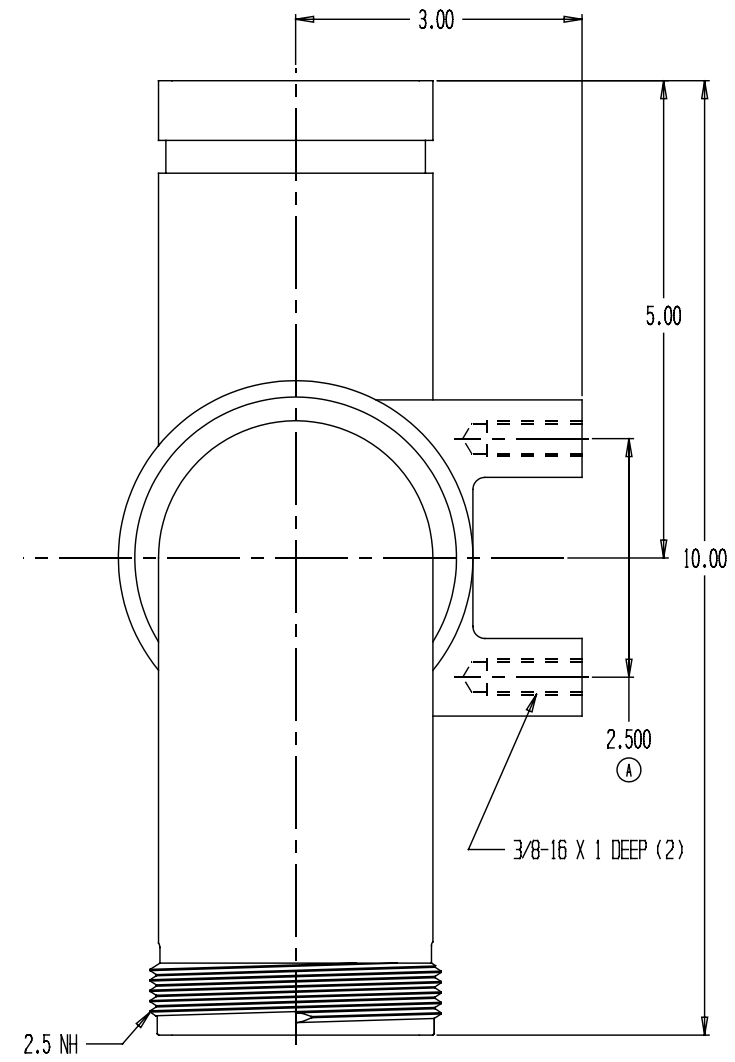
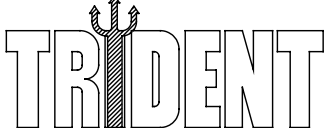


REVISIONS				
REV	DESCRIPTION	DATE	DRAWN BY	APPROVED
A	2.625 TO 2.500	01/17/2005	MS	MS



 <b>EMERGENCY PRODUCTS, LLC</b>	DBL SWIVEL ELBOW, 2.5" PAD MT.		
	REPORT ERRORS & CHANGES REMOVE ALL SHARP EDGES UNLESS OTHERWISE SPECIFIED ALL DIMENSIONS ARE IN INCHES	STANDARD TOLERANCES: DECIMALS .XX ± .030 .XXX ± .015	ANGLES ± 1/2°
COPYRIGHT © DRAWING NOT TO BE REPRODUCED OR USED TO MAKE OTHER DRAWINGS OR MACHINERY	SIZE B	DWG NO. 01.086.4	REV A
DRAWN BY MS CHECKED BY MS	DATE 06/10/2004	SCALE 1:2	SHEET 1 OF 1