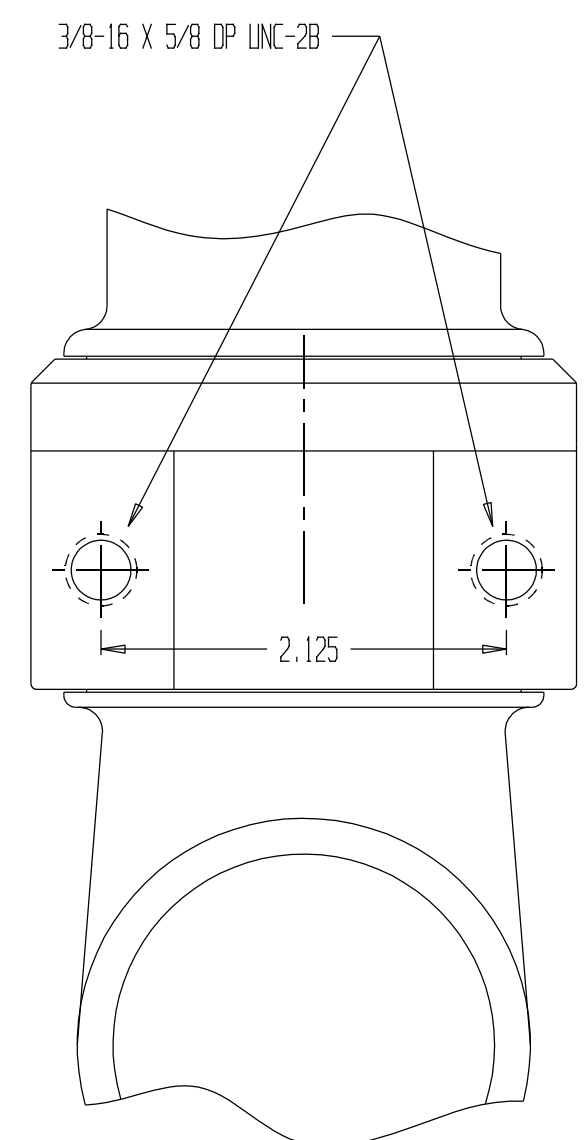
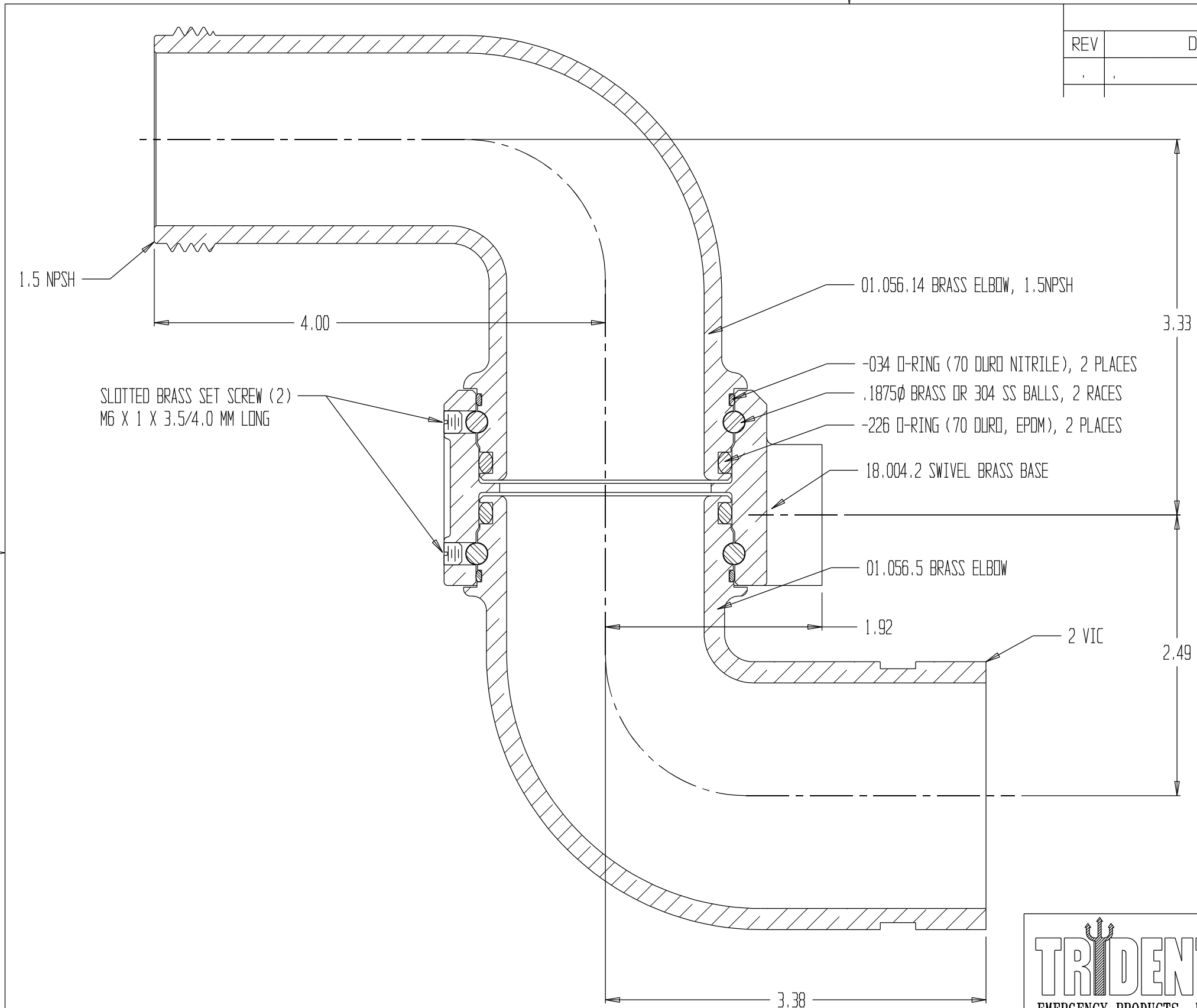
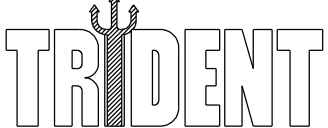


| REVISIONS | | | | |
|-----------|-------------|------|----------|----------|
| REV | DESCRIPTION | DATE | DRAWN BY | APPROVED |
| | | | | |



| | | | |
|---|---|---|--|
|  EMERGENCY PRODUCTS, LLC | 1.5NPSHx2VIC 90° SWIV. W/PAD | | |
| | <small>REPORT ERRORS & CHANGES REMOVE ALL SHARP EDGES UNLESS OTHERWISE SPECIFIED ALL DIMENSIONS ARE IN INCHES</small> | <small>STANDARD TOLERANCES:</small> <small>DECIMALS</small> <small>.XX ± .030</small> <small>.XXX ± .015</small> | <small>ANGLES</small> <small>± 1/2°</small> |
| <small>COPYRIGHT © DRAWING NOT TO BE REPRODUCED OR USED TO MAKE OTHER DRAWINGS OR MACHINERY</small> | <small>SIZE</small> B | <small>DWG NO.</small> 01.055.14 | <small>REV</small> |
| <small>DRAWN BY</small> MS <small>CHECKED BY</small> MS | <small>DATE</small> 10/03/2003 | <small>SCALE</small> 1:1 | <small>SHEET</small> 1 OF 1 |