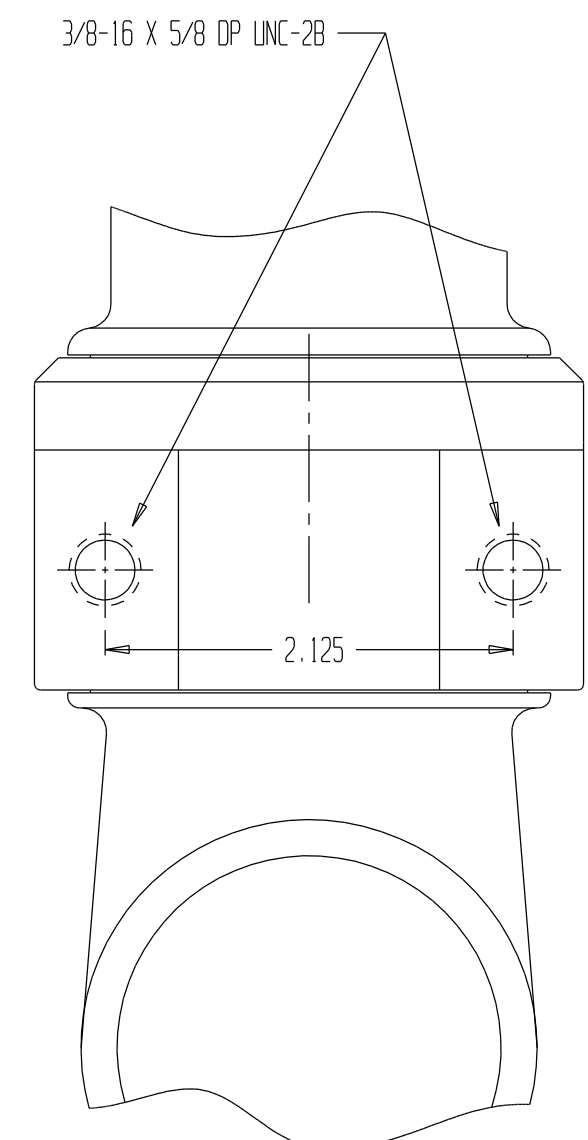
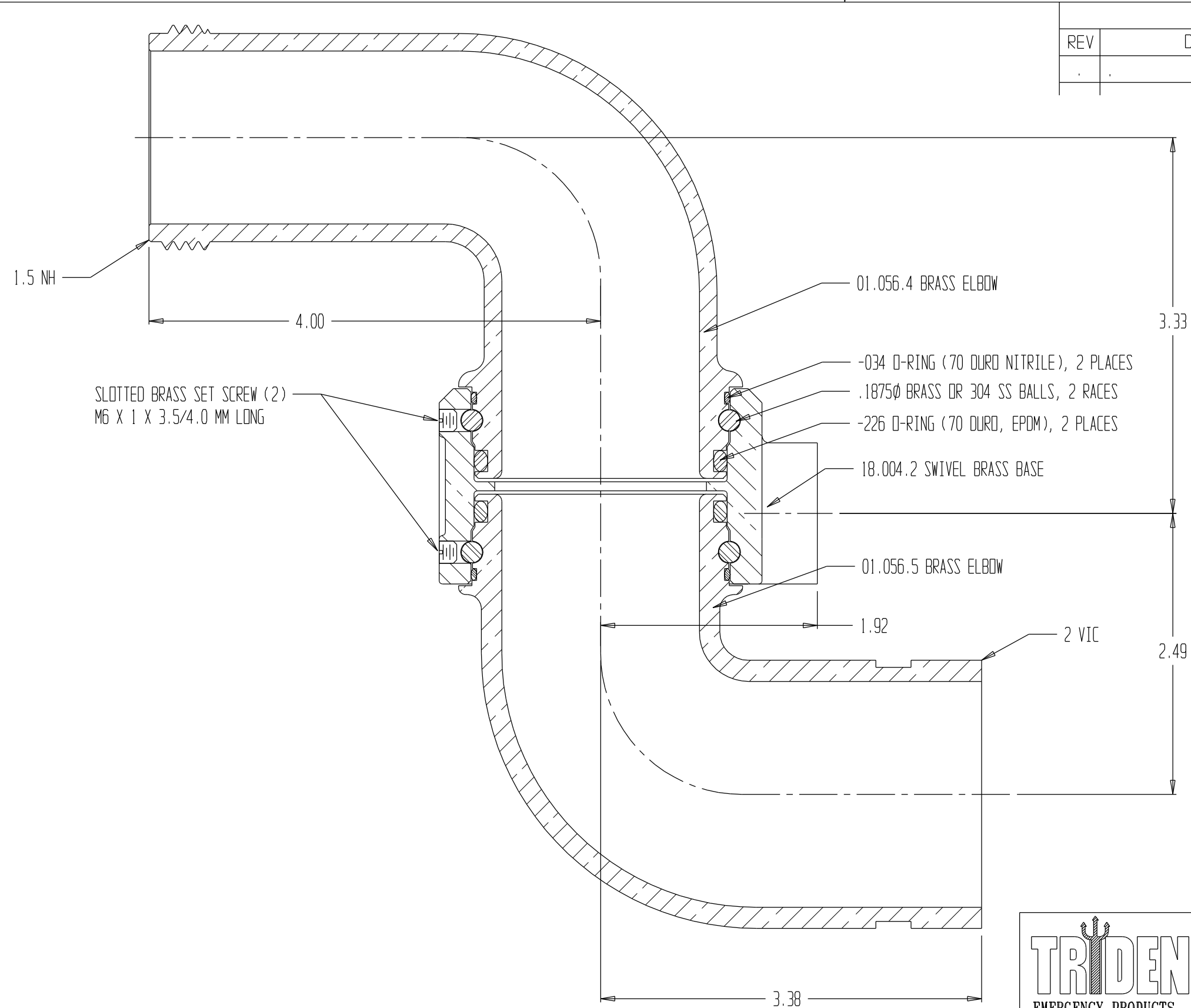



REVISIONS				
REV	DESCRIPTION	DATE	DRAWN BY	APPROVED



 EMERGENCY PRODUCTS, LLC	1.5NHx2VIC 90° SWIV. W/PAD		
	<small>REPORT ERRORS & CHANGES REMOVE ALL SHARP EDGES UNLESS OTHERWISE SPECIFIED ALL DIMENSIONS ARE IN INCHES</small>		<small>STANDARD TOLERANCES:</small> <small>DECIMALS .XX ± .030</small> <small>ANGLES ± 1/2°</small> <small>.XXX ± .015</small>
<small>COPYRIGHT © DRAWING NOT TO BE REPRODUCED OR USED TO MAKE OTHER DRAWINGS OR MACHINERY</small>	<small>SIZE</small> B	<small>DWG NO.</small> 01.055.4	<small>REV</small> .
<small>DRAWN BY</small> MS <small>CHECKED BY</small> MS	<small>DATE</small> 10/18/2002	<small>SCALE</small> 1:1	<small>SHEET</small> 1 OF 1