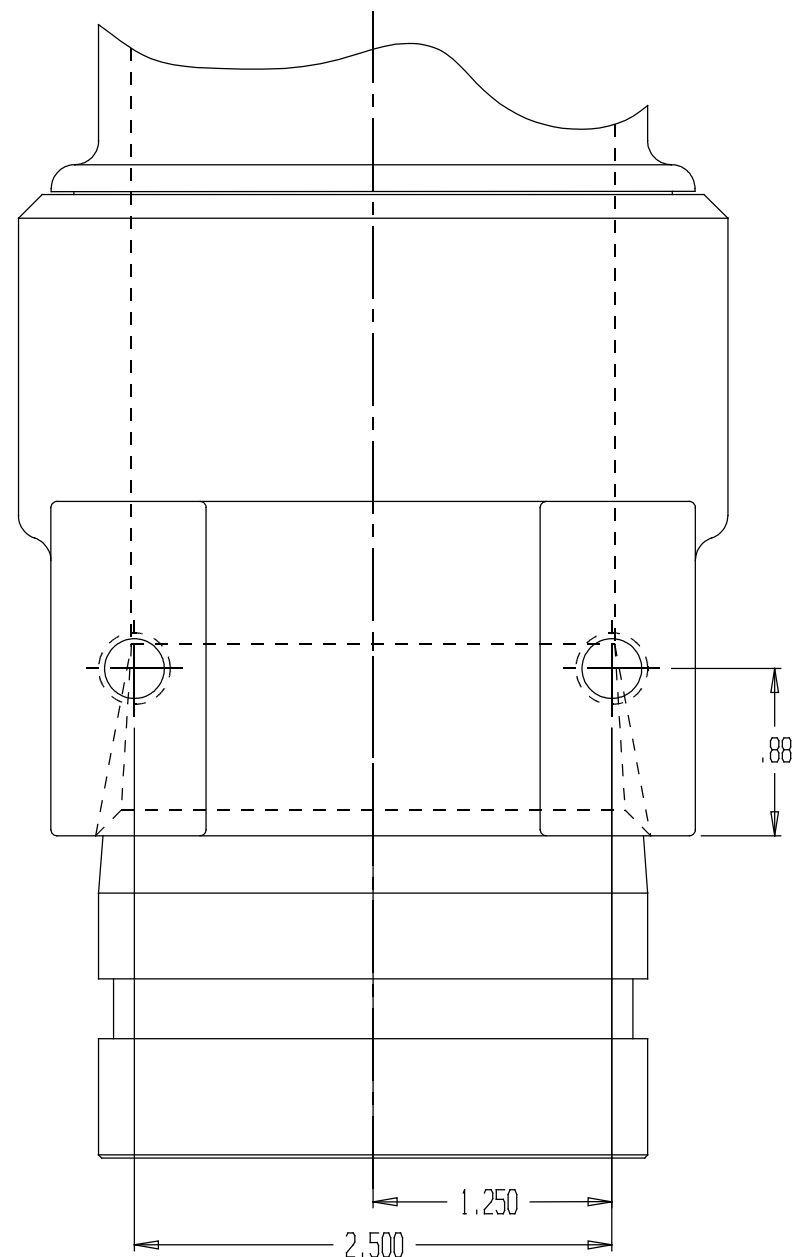
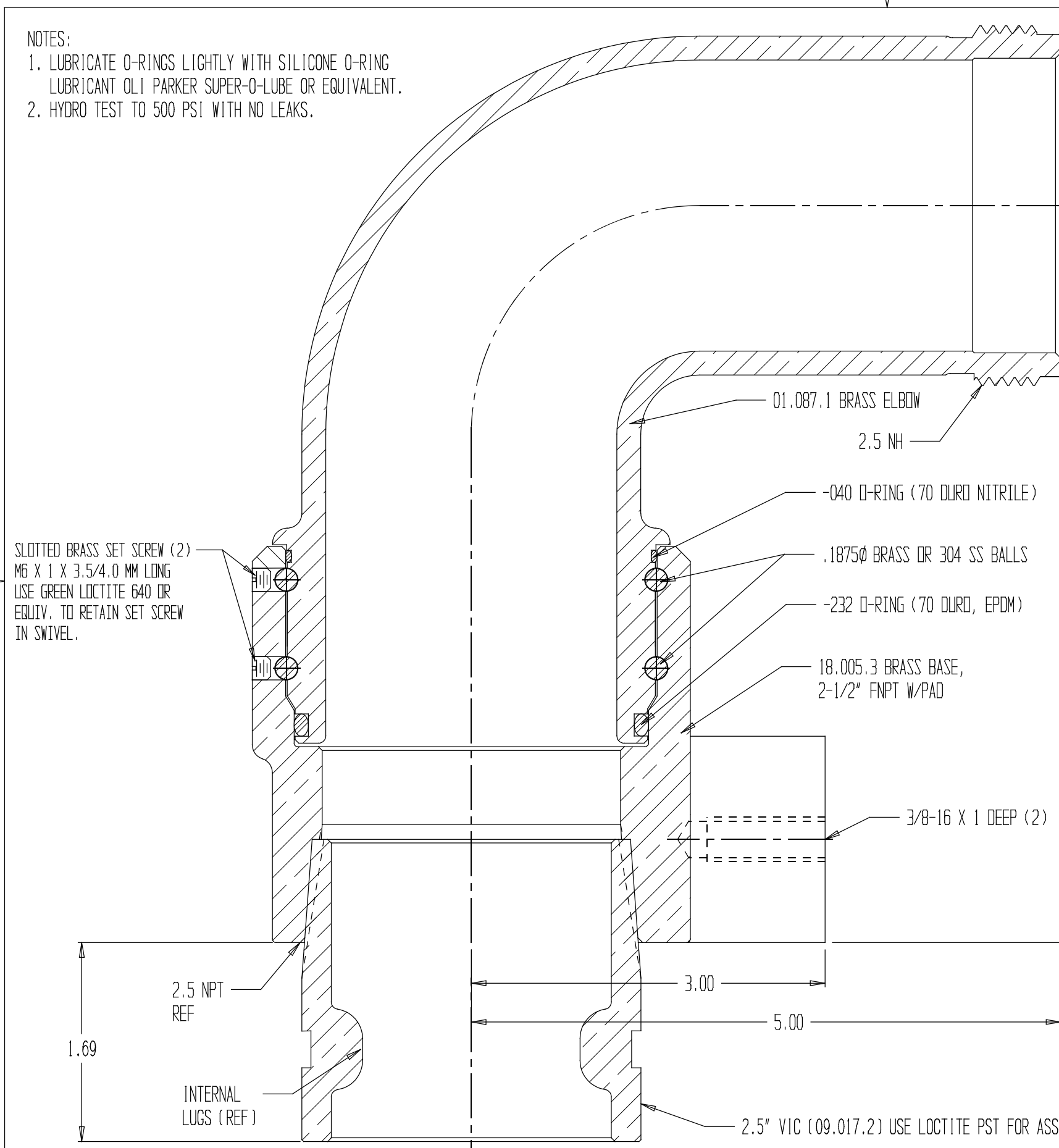


REVISIONS				
REV	DESCRIPTION	DATE	DRAWN BY	APPROVED

- NOTES:
 1. LUBRICATE O-RINGS LIGHTLY WITH SILICONE O-RING LUBRICANT OLI PARKER SUPER-O-LUBE OR EQUIVALENT.
 2. HYDRO TEST TO 500 PSI WITH NO LEAKS.

SLOTTED BRASS SET SCREW (2)
 M6 X 1 X 3.5/4.0 MM LONG
 USE GREEN LOCTITE 640 OR
 EQUIV. TO RETAIN SET SCREW
 IN SWIVEL.



 EMERGENCY PRODUCTS, LLC	2.5NHx2.5 VIC SWIV, BRS./PAD		
	REPORT ERRORS & CHANGES REMOVE ALL SHARP EDGES UNLESS OTHERWISE SPECIFIED ALL DIMENSIONS ARE IN INCHES	STANDARD TOLERANCES: DECIMALS .XX ± .030 .XXX ± .015	ANGLES ± 1/2°
COPYRIGHT © DRAWING NOT TO BE REPRODUCED OR USED TO MAKE OTHER DRAWINGS OR MACHINERY	SIZE B	DWG NO. 01.086.6	REV
DRAWN BY MS CHECKED BY MS	DATE 07/02/2008	SCALE 1:1	SHEET 1 OF 1