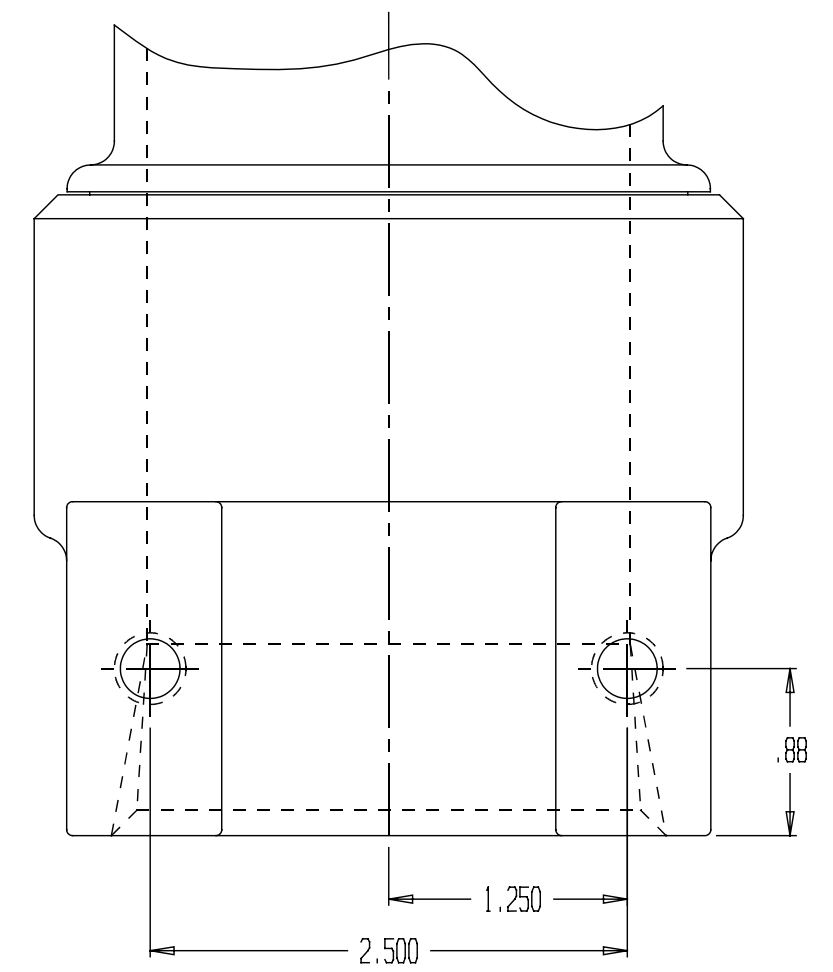
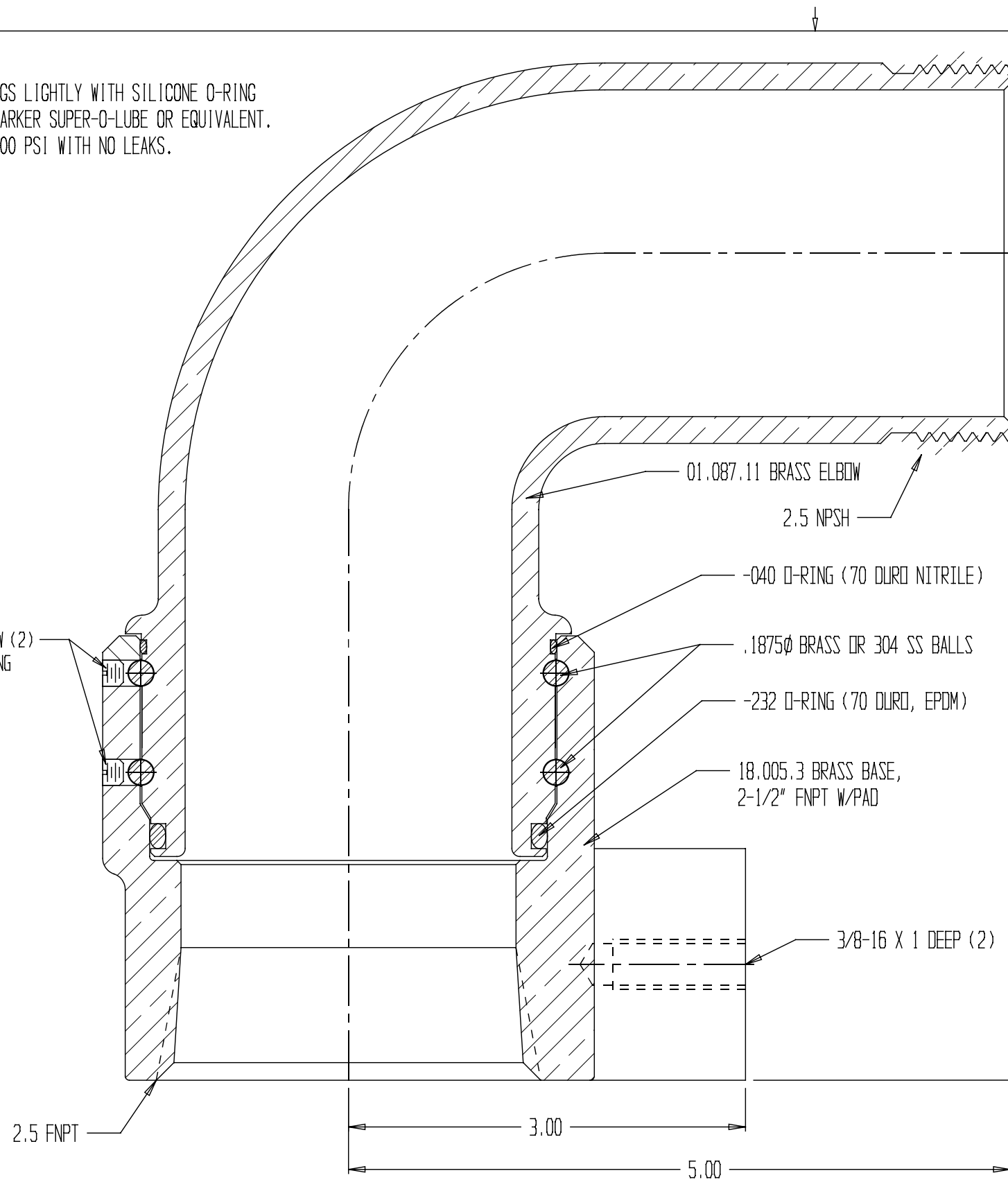



- NOTES:  
 1. LUBRICATE O-RINGS LIGHTLY WITH SILICONE O-RING LUBRICANT OLI PARKER SUPER-O-LUBE OR EQUIVALENT.  
 2. HYDRO TEST TO 500 PSI WITH NO LEAKS.

REVISIONS				
REV	DESCRIPTION	DATE	DRAWN BY	APPROVED

SLOTTED BRASS SET SCREW (2)  
 M6 X 1 X 3.5/4.0 MM LONG  
 WITH LOCKING PATCH



 <b>EMERGENCY PRODUCTS, LLC</b>	<b>2.5NPSHx2.5FNPT SWIV, BRS./PAD</b>		
	<small>REPORT ERRORS &amp; CHANGES          REMOVE ALL SHARP EDGES          UNLESS OTHERWISE SPECIFIED          ALL DIMENSIONS ARE IN INCHES</small>	<small>STANDARD TOLERANCES:</small> DECIMALS .XX ± .030 .XXX ± .015	<small>ANGLES</small> ± 1/2°
<small>COPYRIGHT ©          DRAWING NOT TO BE REPRODUCED OR USED TO          MAKE OTHER DRAWINGS OR MACHINERY</small>	SIZE B	DWG NO. 01.086.15	REV .
<small>DRAWN BY MS          CHECKED BY MS</small>	<small>DATE 09/10/2004</small>	SCALE 1:1	SHEET 1 OF 1