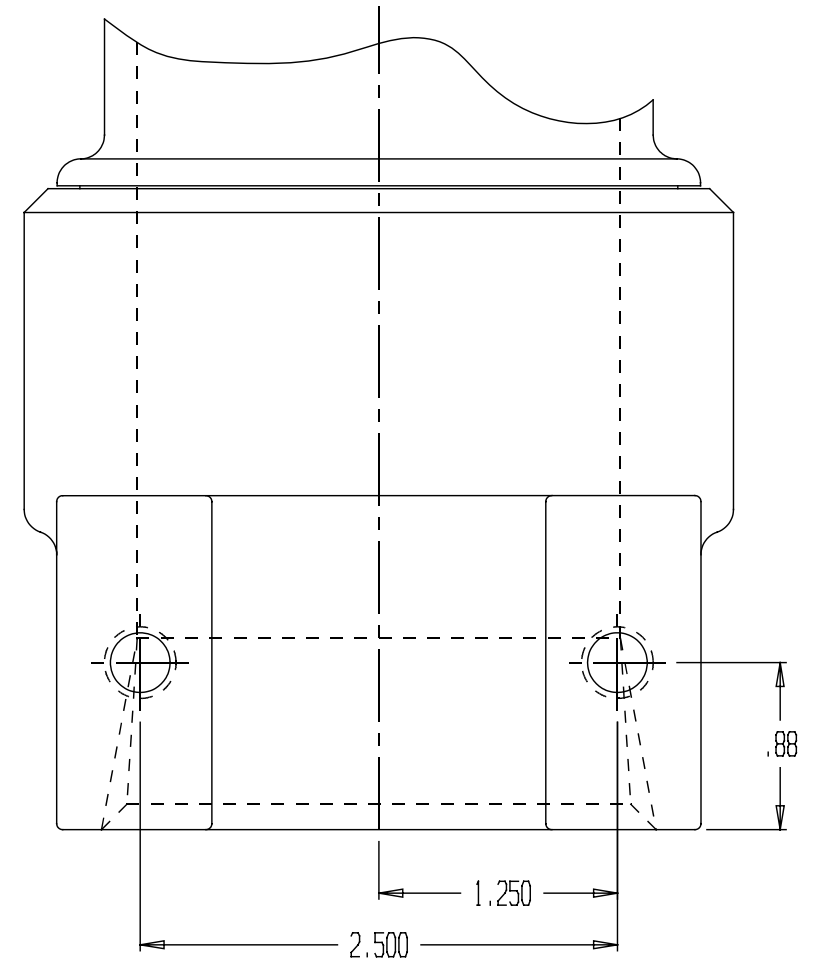
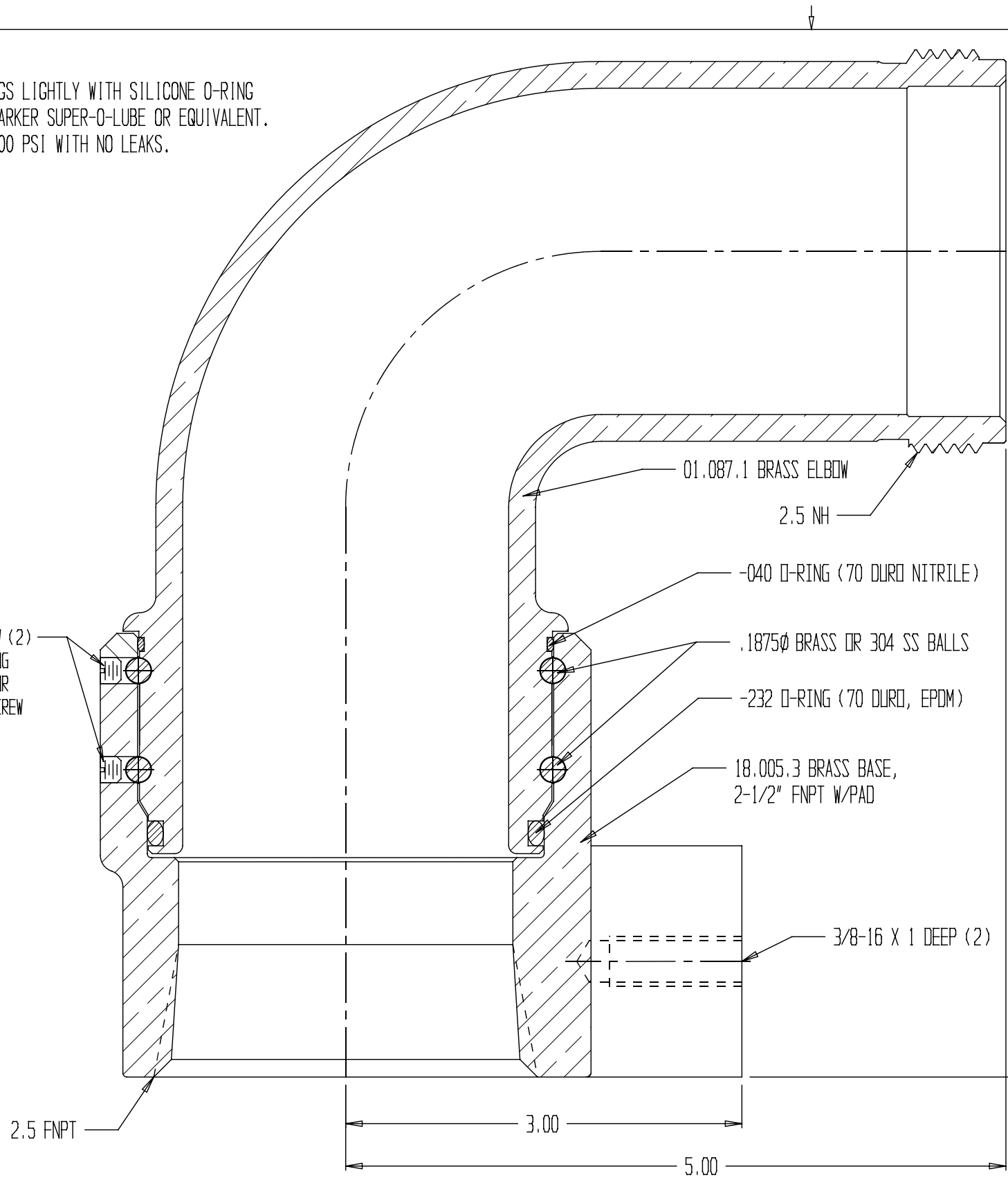



NOTES:

- LUBRICATE O-RINGS LIGHTLY WITH SILICONE O-RING LUBRICANT OLI PARKER SUPER-O-LUBE OR EQUIVALENT.
- HYDRO TEST TO 500 PSI WITH NO LEAKS.

REVISIONS				
REV	DESCRIPTION	DATE	DRAWN BY	APPROVED
A	ADDED NOTE AND PATCH ON SCREWS	02/18/2004	MS	MS
B	UPDATED THREAD LOCKING NOTE	04/28/2005	MS	MS

SLOTTED BRASS SET SCREW (2)
M6 X 1 X 3.5/4.0 MM LONG
USE GREEN LOCTITE 640 OR
EQUIV. TO RETAIN SET SCREW
IN SWIVEL.



 EMERGENCY PRODUCTS, LLC	2.5NHx2.5FNPT SWIV, BRS./PAD		
	<small>REPORT ERRORS & CHANGES REMOVE ALL SHARP EDGES UNLESS OTHERWISE SPECIFIED ALL DIMENSIONS ARE IN INCHES</small>	<small>STANDARD TOLERANCES:</small> DECIMALS .XX ± .030 .XXX ± .015	<small>ANGLES</small> ± 1/2°
<small>COPYRIGHT © DRAWING NOT TO BE REPRODUCED OR USED TO MAKE OTHER DRAWINGS OR MACHINERY</small>	SIZE B	DWG NO. 01.086.5	REV B
<small>DRAWN BY MS CHECKED BY MS</small>	DATE 11/07/2002	SCALE 1:1	SHEET 1 OF 1