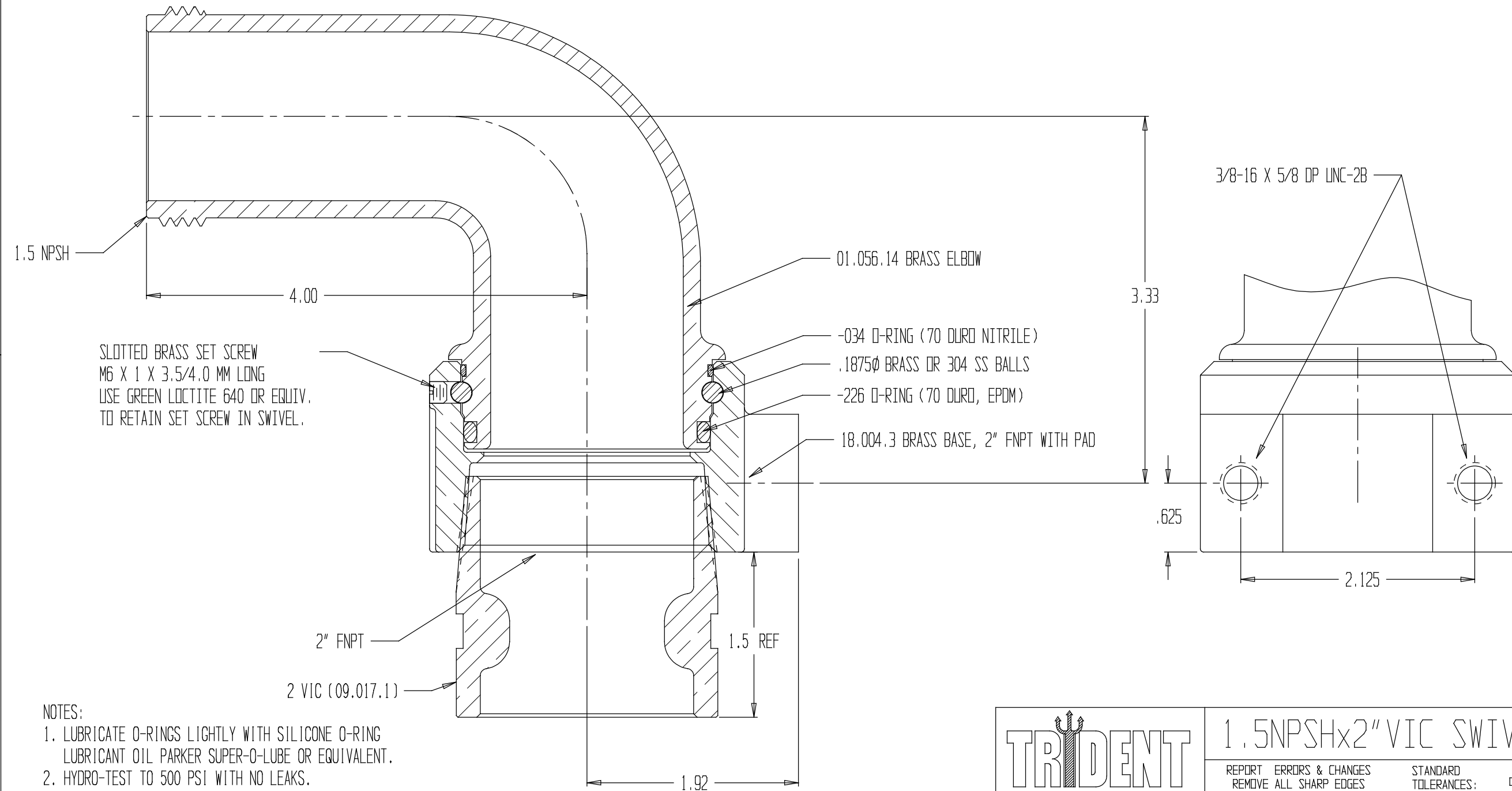


REVISIONS				
REV	DESCRIPTION	DATE	DRAWN BY	APPROVED



SLOTTED BRASS SET SCREW
M6 X 1 X 3.5/4.0 MM LONG
USE GREEN LOCTITE 640 OR EQUIV.
TO RETAIN SET SCREW IN SWIVEL.

2" FNPT

2 VIC (09.017.1)

1.5 REF

1.92

3.33

.625

2.125

3/8-16 X 5/8 DP UNC-2B

01.056.14 BRASS ELBOW

-034 O-RING (70 DURO NITRILE)

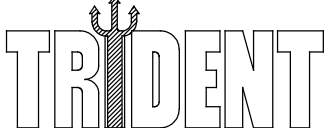
.1875 ϕ BRASS OR 304 SS BALLS

-226 O-RING (70 DURO, EPDM)

18.004.3 BRASS BASE, 2" FNPT WITH PAD

NOTES:

- LUBRICATE O-RINGS LIGHTLY WITH SILICONE O-RING LUBRICANT OIL PARKER SUPER-O-LUBE OR EQUIVALENT.
- HYDRO-TEST TO 500 PSI WITH NO LEAKS.

 EMERGENCY PRODUCTS, LLC	1.5NPSHX2"VIC SWIV.W/PAD		
	REPORT ERRORS & CHANGES REMOVE ALL SHARP EDGES UNLESS OTHERWISE SPECIFIED ALL DIMENSIONS ARE IN INCHES	STANDARD TOLERANCES: DECIMALS .XX \pm .030 .XXX \pm .015	ANGLES \pm 1/2 $^\circ$
COPYRIGHT \copyright DRAWING NOT TO BE REPRODUCED OR USED TO MAKE OTHER DRAWINGS OR MACHINERY	SIZE B	DWG NO. 01.055.27	REV
DRAWN BY MS CHECKED BY MS	DATE 04/28/2005	SCALE 1:1	SHEET 1 OF 1