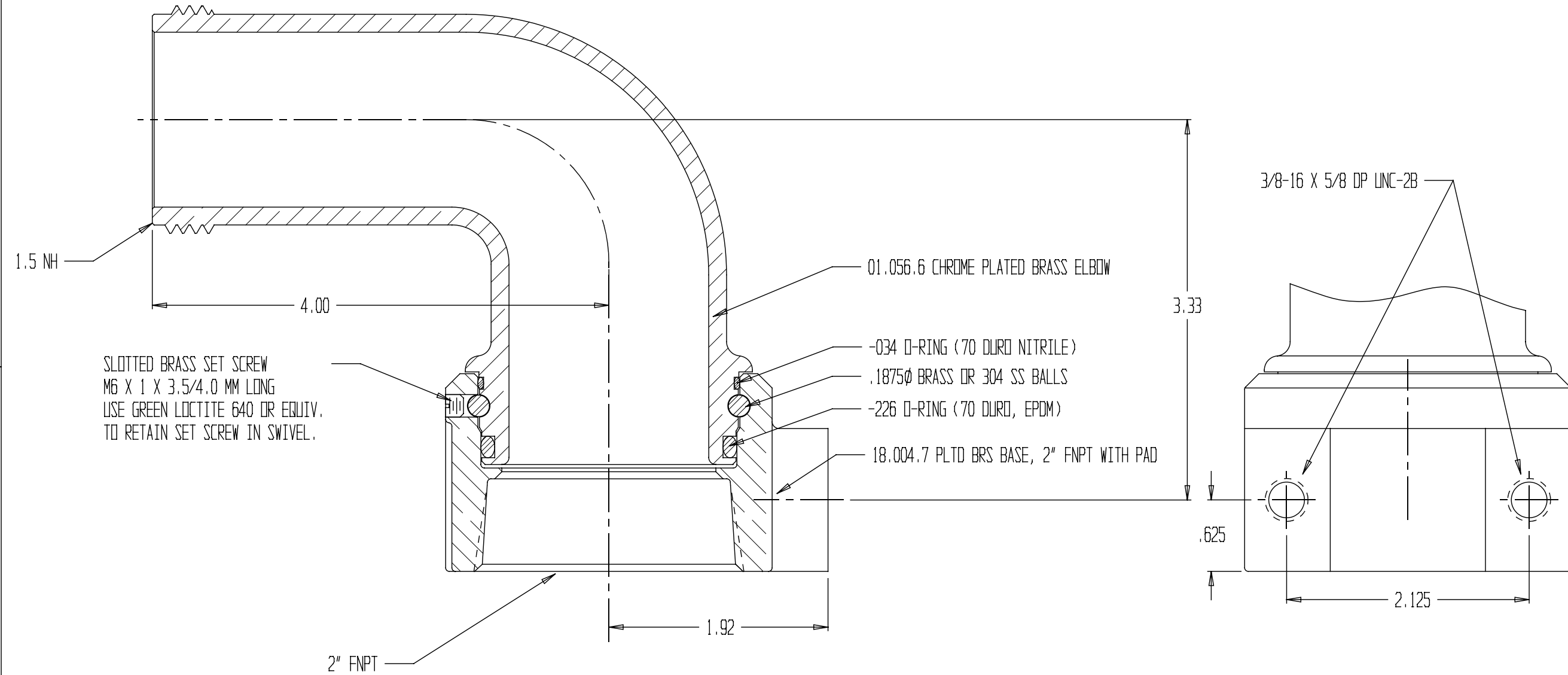



REVISIONS				
REV	DESCRIPTION	DATE	DRAWN BY	APPROVED



- NOTES:
- LUBRICATE O-RINGS LIGHTLY WITH SILICONE O-RING LUBRICANT OIL PARKER SUPER-O-LUBE OR EQUIVALENT.
 - HYDRO-TEST TO 500 PSI WITH NO LEAKS.
 - SAME AS 01.055.5, BUT CHROME PLATED

 EMERGENCY PRODUCTS, LLC	1.5NHx2" FNPT SWIV. W/PAD		
	REPORT ERRORS & CHANGES REMOVE ALL SHARP EDGES UNLESS OTHERWISE SPECIFIED ALL DIMENSIONS ARE IN INCHES	STANDARD TOLERANCES: DECIMALS .XX ± .030 .XXX ± .015	ANGLES ± 1/2°
COPYRIGHT © DRAWING NOT TO BE REPRODUCED OR USED TO MAKE OTHER DRAWINGS OR MACHINERY	SIZE B	DWG NO. 01.055.26	REV .
DRAWN BY MS CHECKED BY MS DATE 08/11/2005	SCALE 1:1	SHEET 1 OF 1	