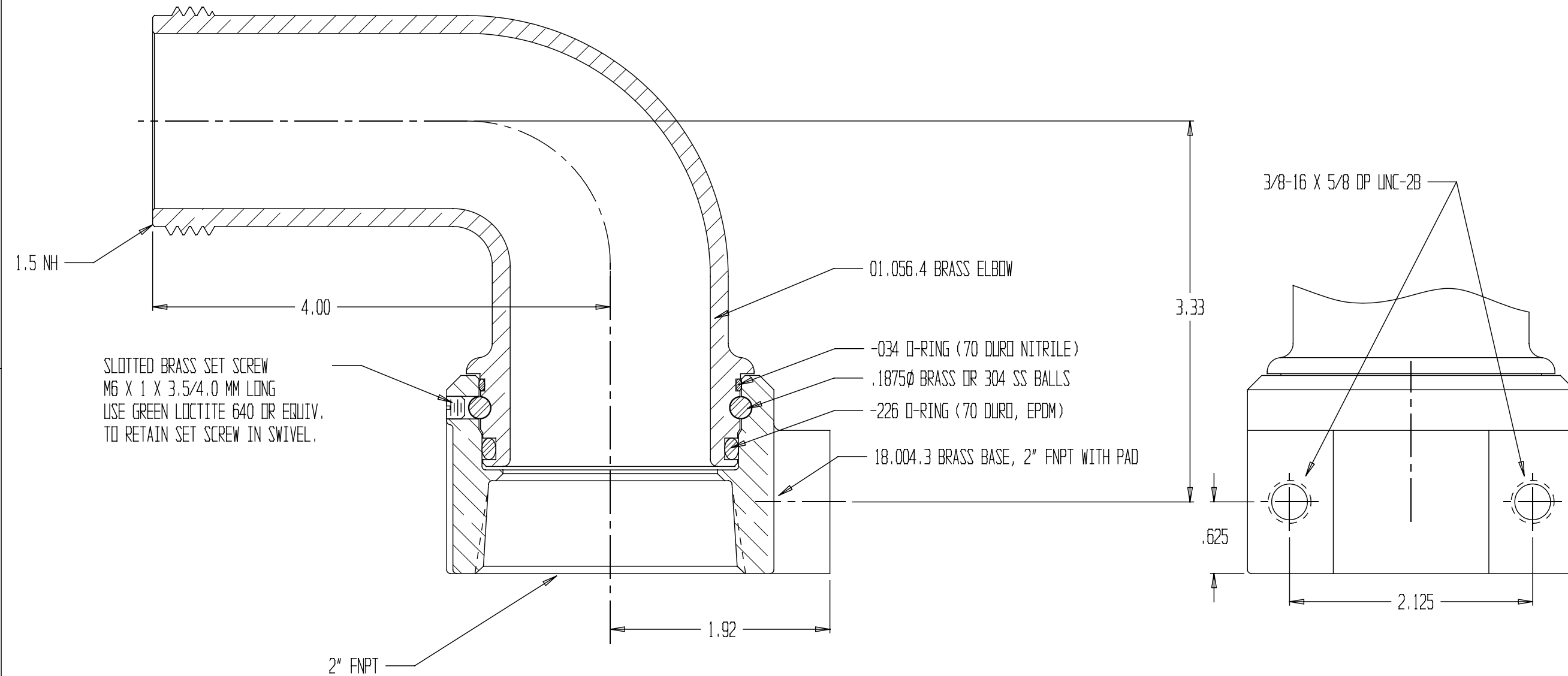
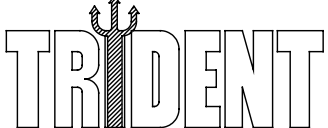


REVISIONS				
REV	DESCRIPTION	DATE	DRAWN BY	APPROVED
A	ADDED PATCH ON SCREW AND NOTE	02/18/2004	MS	MS
B	UPDATED THREAD LOCKING NOTE	04/28/2005	MS	MS



NOTES:

- LUBRICATE O-RINGS LIGHTLY WITH SILICONE O-RING LUBRICANT OIL PARKER SUPER-O-LUBE OR EQUIVALENT.
- HYDRO-TEST TO 500 PSI WITH NO LEAKS.

 <b>EMERGENCY PRODUCTS, LLC</b>		<b>1.5NHx2" FNPT SWIV. W/PAD</b>		
		REPORT ERRORS & CHANGES REMOVE ALL SHARP EDGES UNLESS OTHERWISE SPECIFIED ALL DIMENSIONS ARE IN INCHES	STANDARD TOLERANCES: .XX ± .030 .XXX ± .015	ANGLES ± 1/2°
COPYRIGHT © DRAWING NOT TO BE REPRODUCED OR USED TO MAKE OTHER DRAWINGS OR MACHINERY		SIZE B	DWG NO. 01.055.5	SHEET 1 OF 1
DRAWN BY MS	CHECKED BY MS	DATE 10/18/2002	SCALE 1:1	