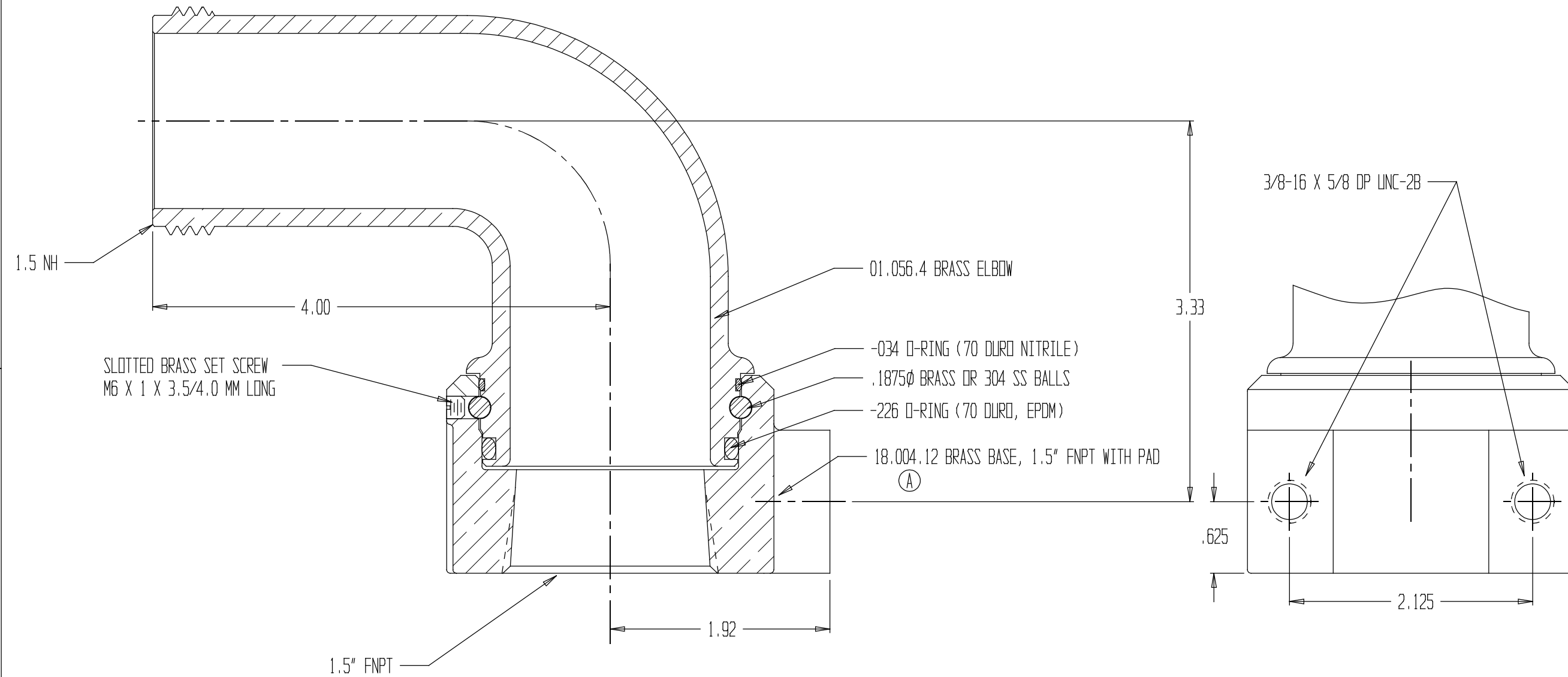
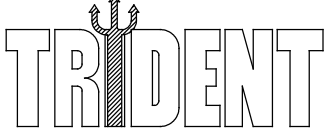


REVISIONS				
REV	DESCRIPTION	DATE	DRAWN BY	APPROVED
A	CORRECTED FROM 18.004.13	06/01/2007	MS	MS

NOTE:  
LUBRICATE O-RINGS WITH SILICONE OIL.



 <b>EMERGENCY PRODUCTS, LLC</b>	1.5NHx1.5" FNPT SWIV. W/PAD		
	REPORT ERRORS & CHANGES REMOVE ALL SHARP EDGES UNLESS OTHERWISE SPECIFIED ALL DIMENSIONS ARE IN INCHES	STANDARD TOLERANCES: .XX ± .030 .XXX ± .015	ANGLES ± 1/2°
COPYRIGHT © DRAWING NOT TO BE REPRODUCED OR USED TO MAKE OTHER DRAWINGS OR MACHINERY	SIZE B	DWG NO. 01.055.19	REV A
DRAWN BY MS CHECKED BY MS	DATE 12/08/2003	SCALE 1:1	SHEET 1 OF 1