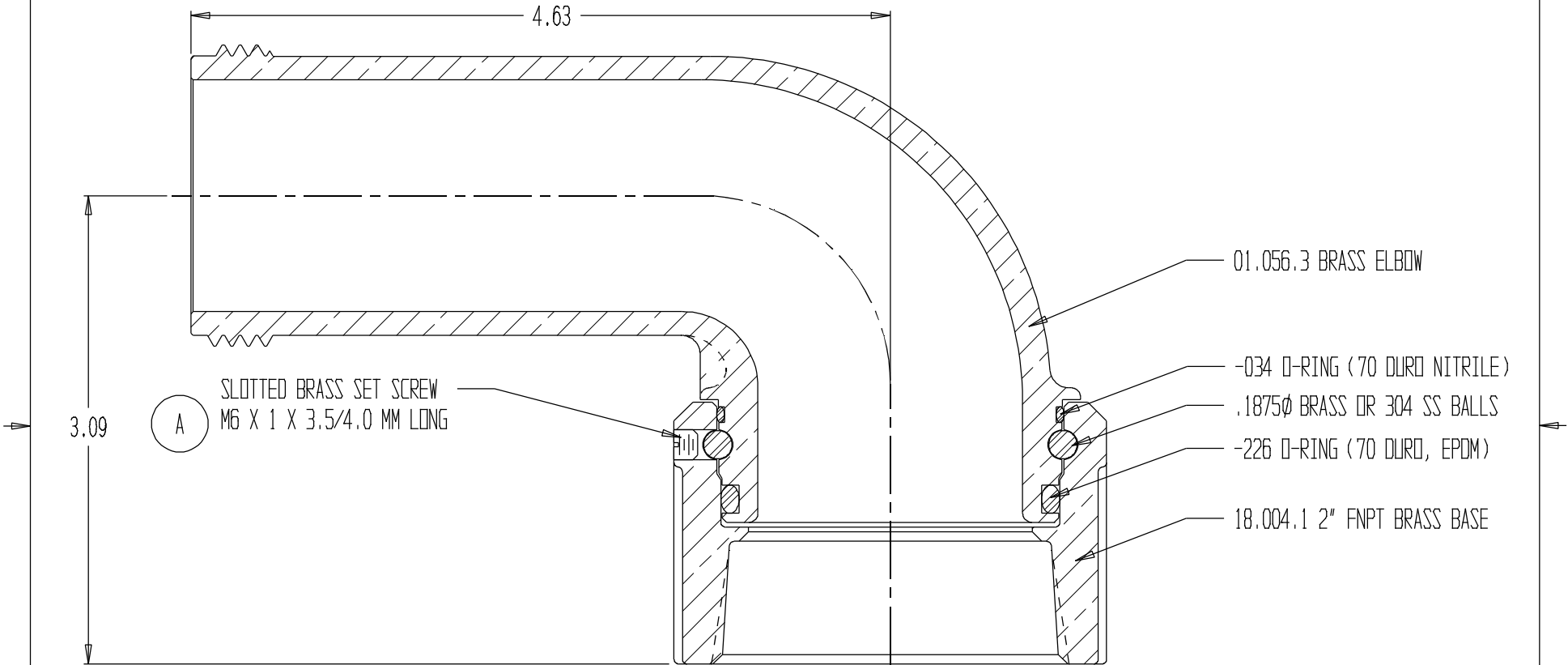


REVISIONS				
REV	DESCRIPTION	DATE	DRAWN BY	APPROVED
A	ADDED SET SCREW DIMENSIONS	08/27/2002	MS	MS



TRIDENT
EMERGENCY PRODUCTS, LLC

COPYRIGHT ©
DRAWING NOT TO BE REPRODUCED OR USED TO
MAKE OTHER DRAWINGS OR MACHINERY

DRAWN BY	MS
CHECKED BY	MS

DATE 07/31/2002

1.5NH X 2" NPT LONG BRS. ELBOW

REPORT ERRORS & CHANGES
REMOVE ALL SHARP EDGES
UNLESS OTHERWISE SPECIFIED
ALL DIMENSIONS ARE IN INCHES

STANDARD TOLERANCES:

DECIMALS	ANGLES
.XX ± .030	± 1/2°
.XXX ± .015	

SIZE	DWG NO.	REV
A	01.055.3	A

SCALE 1:1

SHEET 1 OF 1