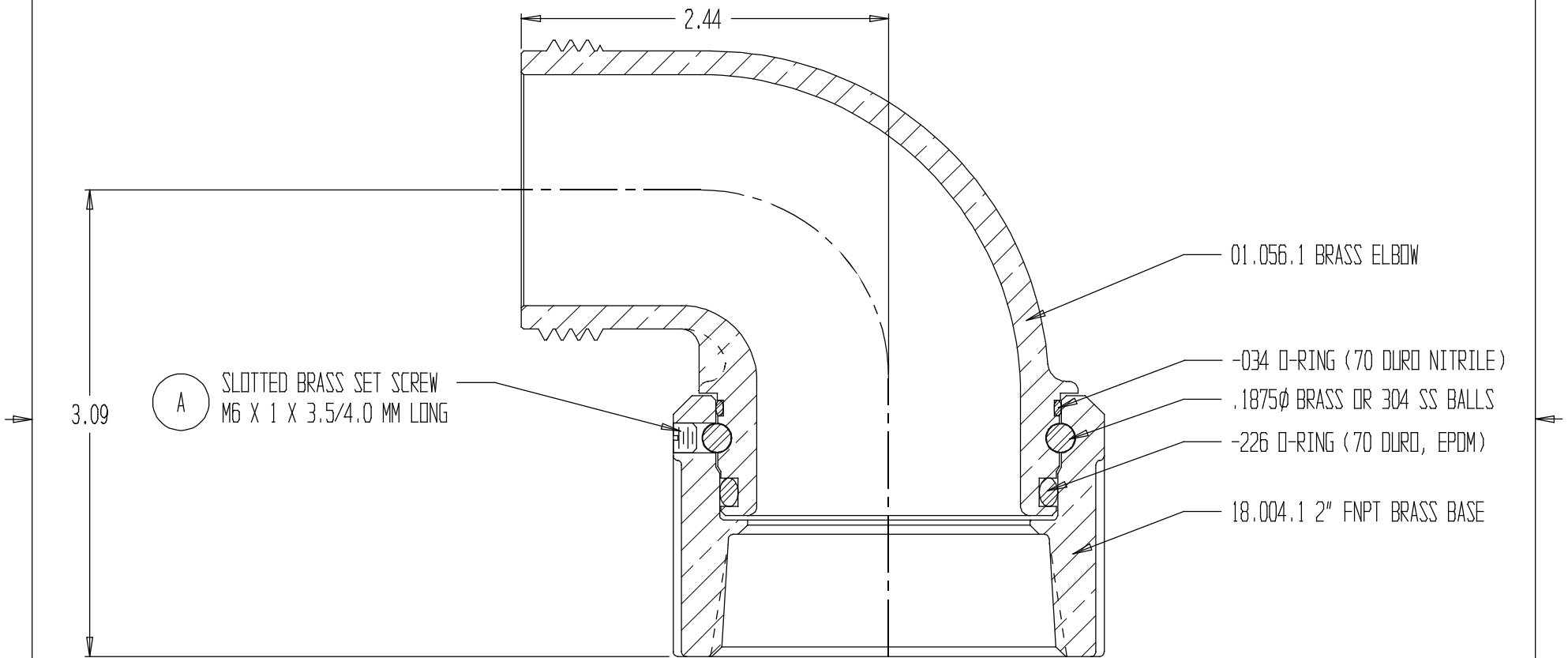


REVISIONS				
REV	DESCRIPTION	DATE	DRAWN BY	APPROVED
A	ADDED SET SCREW DIMENSIONS	08/27/2002	MS	MS



1.5NH X 2" NPT SHORT ELBOW

REPORT ERRORS & CHANGES
REMOVE ALL SHARP EDGES
UNLESS OTHERWISE SPECIFIED
ALL DIMENSIONS ARE IN INCHES

STANDARD TOLERANCES:

DECIMALS	ANGLES
.XX \pm .030	\pm 1/2 $^\circ$
.XXX \pm .015	

DRAWING NOT TO BE REPRODUCED OR USED TO MAKE OTHER DRAWINGS OR MACHINERY		DATE 07/31/2002	SCALE 1:1	DWG NO. 01.055.1	REV A
DRAWN BY MS	CHECKED BY MS			SHEET 1 OF 1	