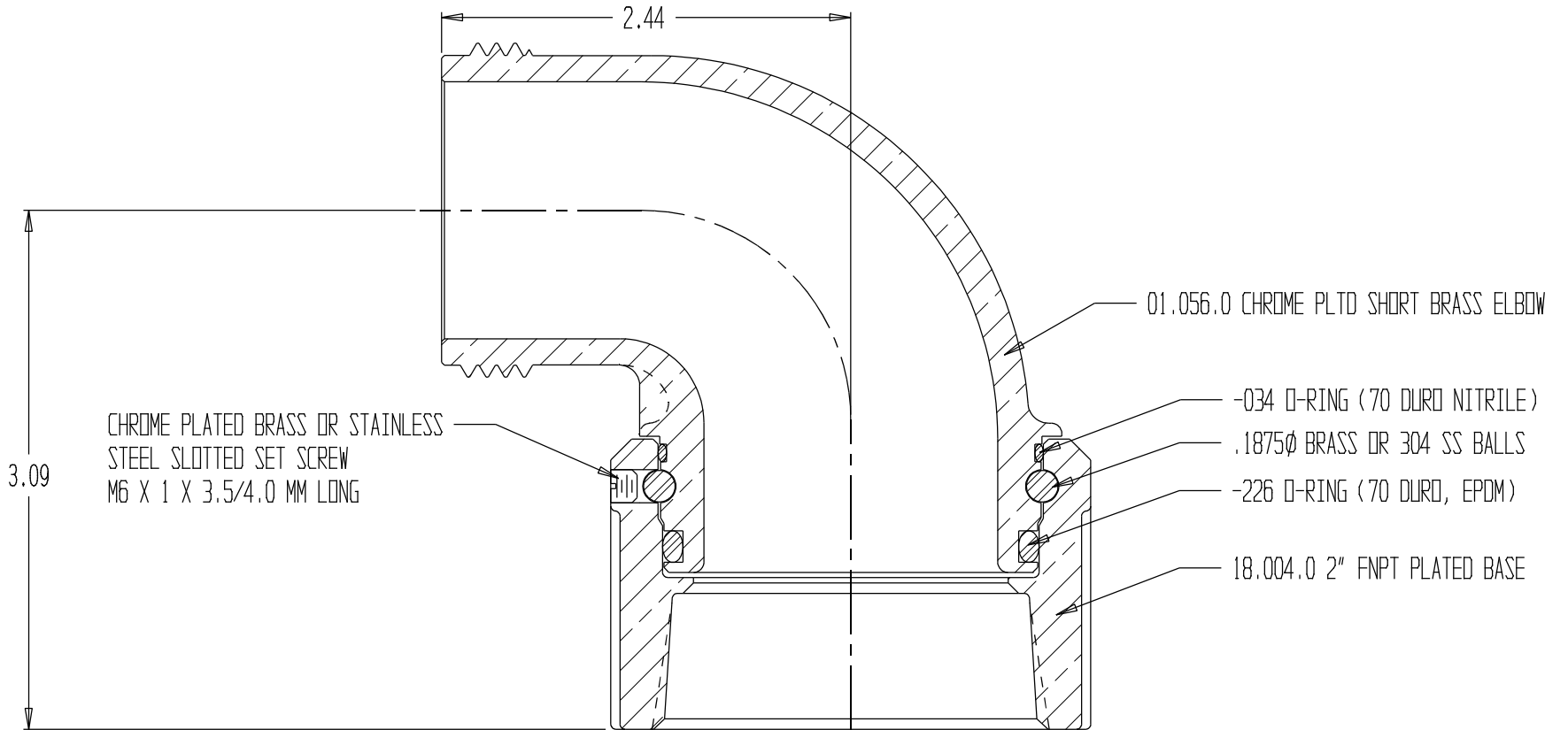


REVISIONS				
REV	DESCRIPTION	DATE	DRAWN BY	APPROVED



1.5NHx2" NPT SHORT ELBOW, PLTD

REPORT ERRORS & CHANGES
REMOVE ALL SHARP EDGES
UNLESS OTHERWISE SPECIFIED
ALL DIMENSIONS ARE IN INCHES

STANDARD TOLERANCES:

DECIMALS	ANGLES
.XX \pm .030	\pm 1/2°
.XXX \pm .015	

COPYRIGHT ©
DRAWING NOT TO BE REPRODUCED OR USED TO
MAKE OTHER DRAWINGS OR MACHINERY

DRAWN BY	MS	DATE	03/06/2003
CHECKED BY	MS		

SIZE	A	DWG NO.	01.055.0	REV	
SCALE	1:1	SHEET		1 OF 1	