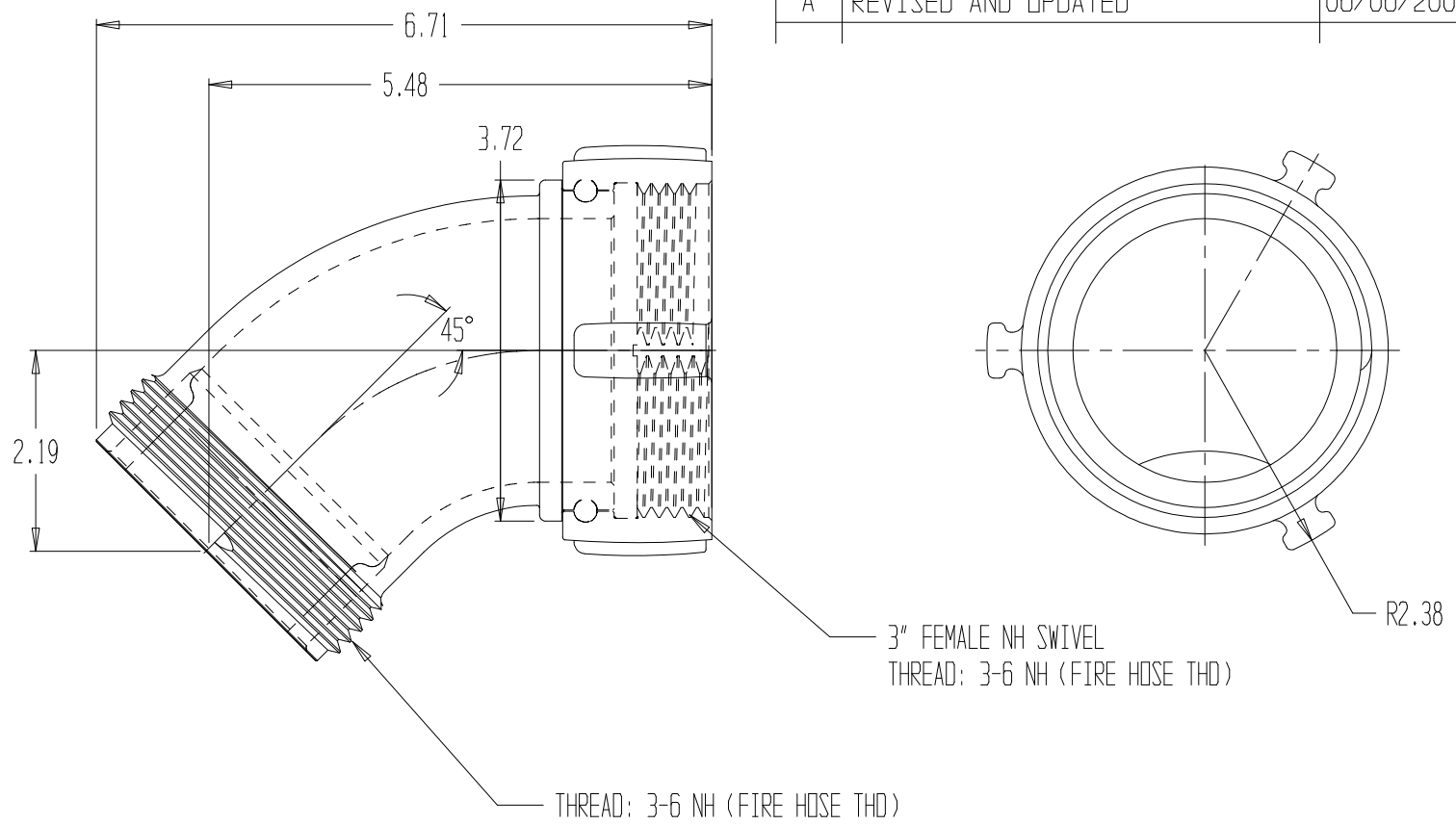


| REVISIONS |                     |            |          |          |
|-----------|---------------------|------------|----------|----------|
| REV       | DESCRIPTION         | DATE       | DRAWN BY | APPROVED |
| A         | REVISED AND UPDATED | 06/06/2002 | MS       | MS       |



NOTES:

- 1) CHROME PLATED
- 2) MATERIAL: BRASS
- 3) BALL MATERIAL: STAINLESS
- 4) RUBBER WASHER INCLUDED AND INSTALLED



# ADAPTER, 3 NH X 45°

REPORT ERRORS & CHANGES  
 REMOVE ALL SHARP EDGES  
 UNLESS OTHERWISE SPECIFIED  
 ALL DIMENSIONS ARE IN INCHES

STANDARD TOLERANCES:

|             |        |
|-------------|--------|
| DECIMALS    | ANGLES |
| .XX ± .030  | ± 1/2° |
| .XXX ± .015 |        |

|  |                  |                    |                       |                 |
|--|------------------|--------------------|-----------------------|-----------------|
| DRAWING NOT TO BE REPRODUCED OR USED TO MAKE OTHER DRAWINGS OR MACHINERY |                  | SIZE<br>A          | DWG NO.<br>01.016.0PC | REV             |
| DRAWN BY<br>MS   | CHECKED BY<br>MS | DATE<br>10/15/2001 | SCALE<br>1:2          | SHEET<br>1 OF 1 |