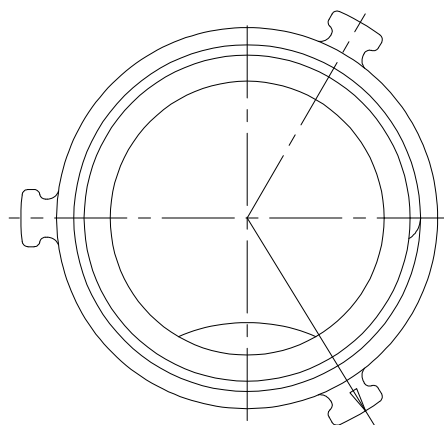
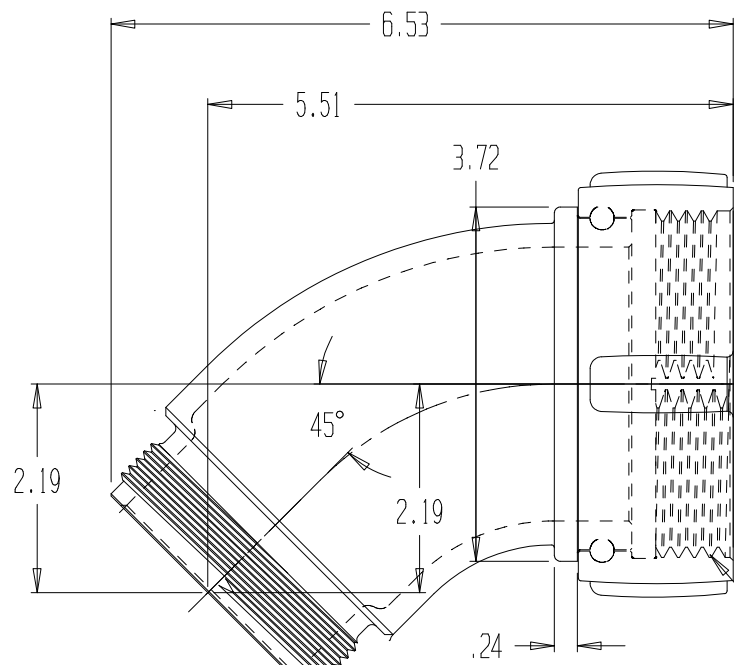


REVISIONS				
REV	DESCRIPTION	DATE	DRAWN BY	APPROVED



3" FEMALE NH SWIVEL
 THREAD: 3-6 NH (FIRE HOSE THD)

R2.38

THREAD: 2.5-7.5 NH (FIRE HOSE THD)

NOTES:

- 1) CHROME PLATED
- 2) MATERIAL: BRASS
- 3) BALL MATERIAL: STAINLESS
- 4) RUBBER WASHER INCLUDED AND INSTALLED



ADAPTER, 2.5NHx3NHx45°

REPORT ERRORS & CHANGES
 REMOVE ALL SHARP EDGES
 UNLESS OTHERWISE SPECIFIED
 ALL DIMENSIONS ARE IN INCHES

STANDARD TOLERANCES:
 DECIMALS .XX ± .030
 ANGLES ± 1/2°
 .XXX ± .015

COPYRIGHT ©
 DRAWING NOT TO BE REPRODUCED OR USED TO
 MAKE OTHER DRAWINGS OR MACHINERY

DRAWN BY	MS	DATE	06/06/2002
CHECKED BY	MS		

SIZE	A	DWG NO.	01.054.0PC
SCALE	1:2	SHEET	1 OF 1

REV	
-----	--