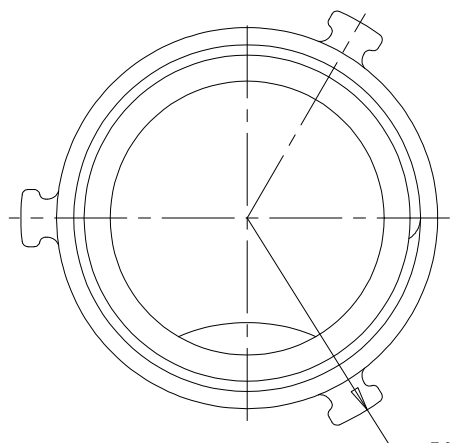
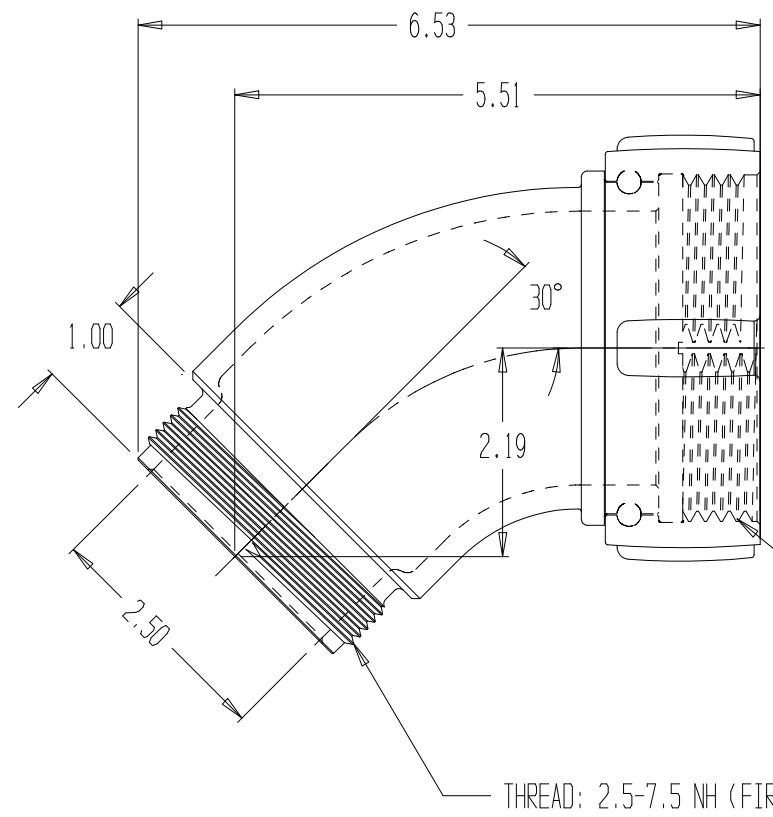


REVISIONS				
REV	DESCRIPTION	DATE	DRAWN BY	APPROVED



3" FEMALE NH SWIVEL  
 THREAD: 3-6 NH (FIRE HOSE THD)

THREAD: 2.5-7.5 NH (FIRE HOSE THD)

NOTES:

- 1) CHROME PLATED
- 2) MATERIAL: BRASS STAINLESS
- 3) RUBBER WASHER INCLUDED AND INSTALLED



ADAPTER, 2.5NHx3NHx30°

REPORT ERRORS & CHANGES  
 REMOVE ALL SHARP EDGES  
 UNLESS OTHERWISE SPECIFIED  
 ALL DIMENSIONS ARE IN INCHES

STANDARD TOLERANCES:

DECIMALS	ANGLES
.XX ± .030	± 1/2°
.XXX ± .015	

DRAWING NOT TO BE REPRODUCED OR USED TO MAKE OTHER DRAWINGS OR MACHINERY		COPYRIGHT ©	SIZE A	DWG NO.	01.054.20PC	REV
DRAWN BY	MS	DATE	08/17/2004	SCALE	1:2	SHEET 1 OF 1
CHECKED BY	MS					