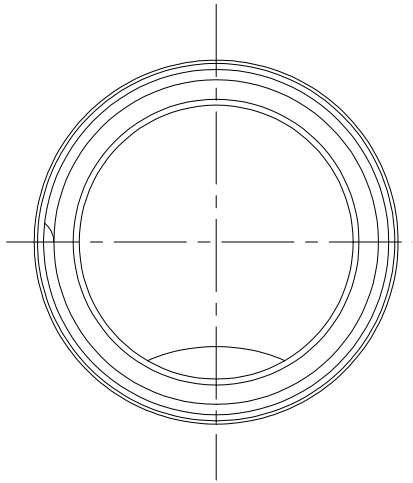
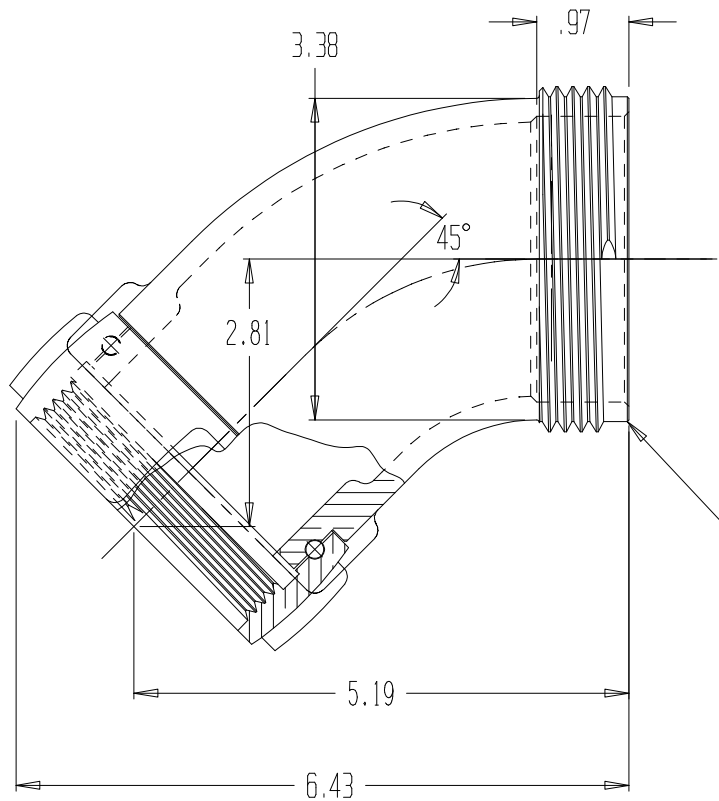


REVISIONS				
REV	DESCRIPTION	DATE	DRAWN BY	APPROVED



THREAD: 3-6 NH (FIRE HOSE THD)

NOTES:

- 1) CHROME PLATED
- 2) MATERIAL: BRASS
- 3) WASHER INCLUDED AND INSTALLED



ADAPTER, 2.5FNHx3MNHx45°

REPORT ERRORS & CHANGES
 REMOVE ALL SHARP EDGES
 UNLESS OTHERWISE SPECIFIED
 ALL DIMENSIONS ARE IN INCHES

STANDARD TOLERANCES:

DECIMALS	ANGLES
.XX ± .030	± 1/2°
.XXX ± .015	

DRAWING NOT TO BE REPRODUCED OR USED TO MAKE OTHER DRAWINGS OR MACHINERY		COPYRIGHT ©	SIZE A	DWG NO.	01.071.0PC	REV
DRAWN BY	MS	DATE	08/15/2002	SCALE	1:2	SHEET 1 OF 1
CHECKED BY	MS					