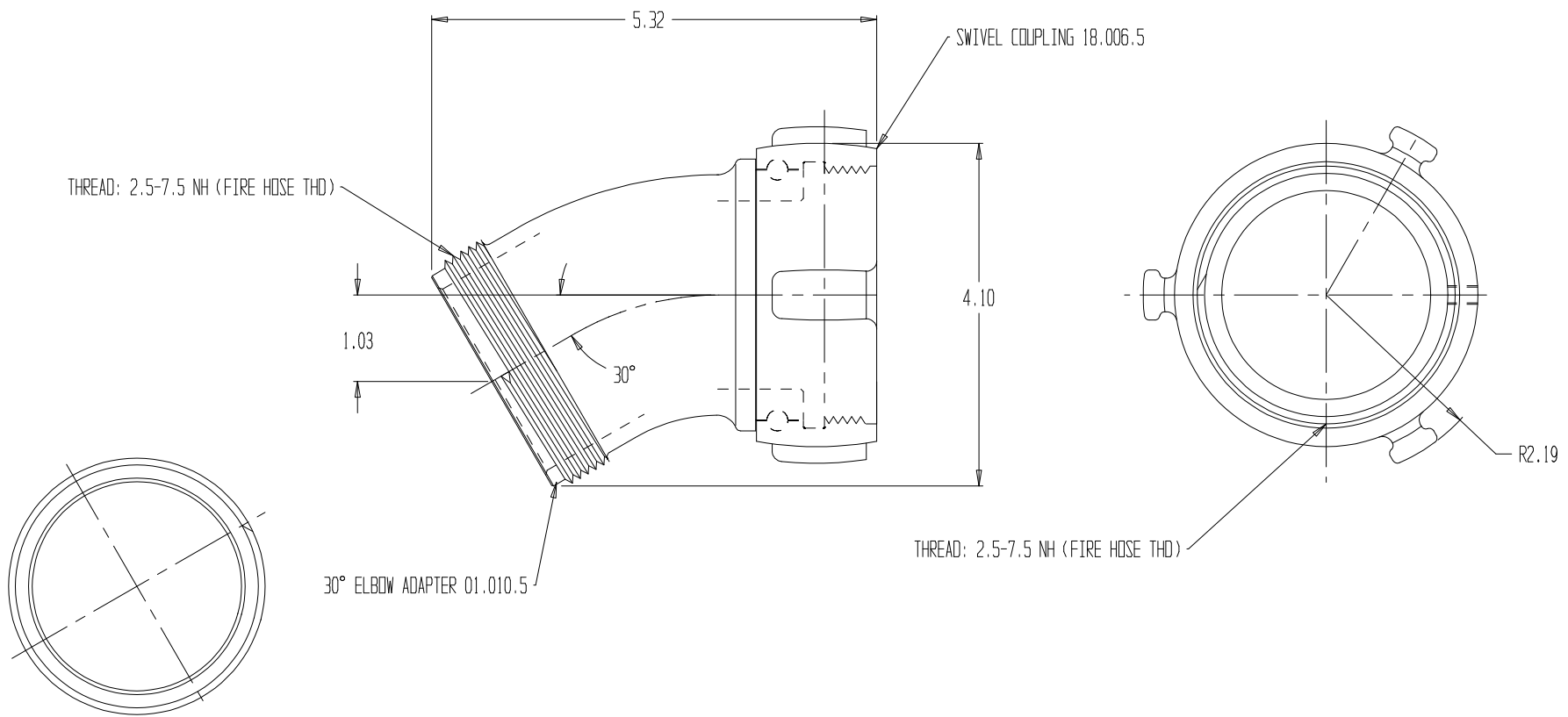


REVISIONS				
REV	DESCRIPTION	DATE	DRAWN BY	APPROVED



- NOTES:
- 1) CHROME PLATED
 - 2) MATERIAL: BRASS
 - 3) WASHER INCLUDED



ELBOW ASSY., 2.5NH X 30°

REPORT ERRORS & CHANGES
 REMOVE ALL SHARP EDGES
 UNLESS OTHERWISE SPECIFIED
 ALL DIMENSIONS ARE IN INCHES

STANDARD TOLERANCES:

DECIMALS	ANGLES
.XX ± .030	± 1/2°
.XXX ± .015	

DRAWING NOT TO BE REPRODUCED OR USED TO MAKE OTHER DRAWINGS OR MACHINERY		SIZE A	DWG NO. 01.010.0PC	REV
DRAWN BY MS	CHECKED BY MS	DATE 01/02/2001	SCALE 1:2	SHEET 1 OF 1