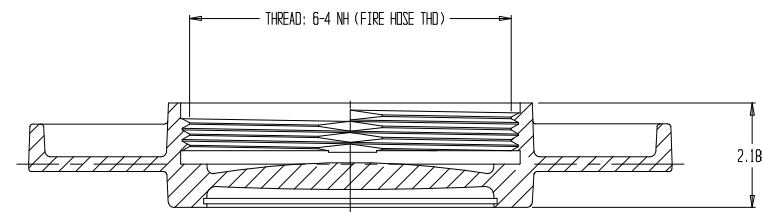
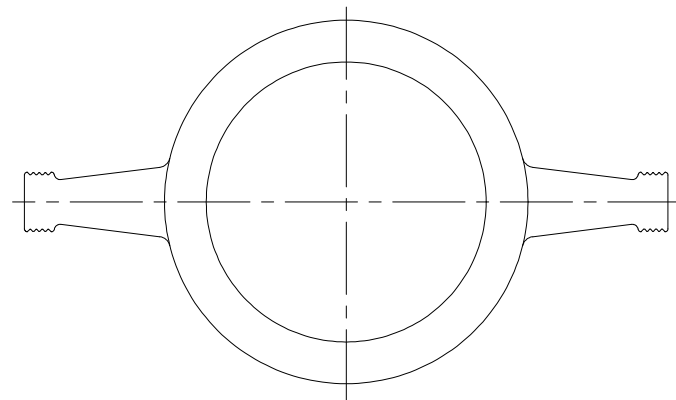
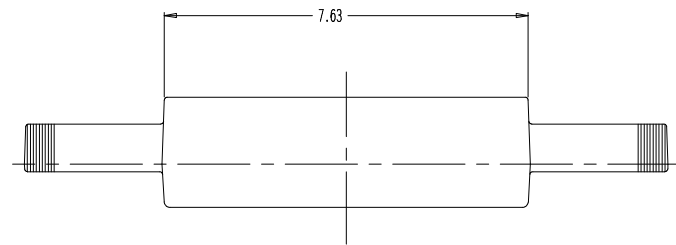
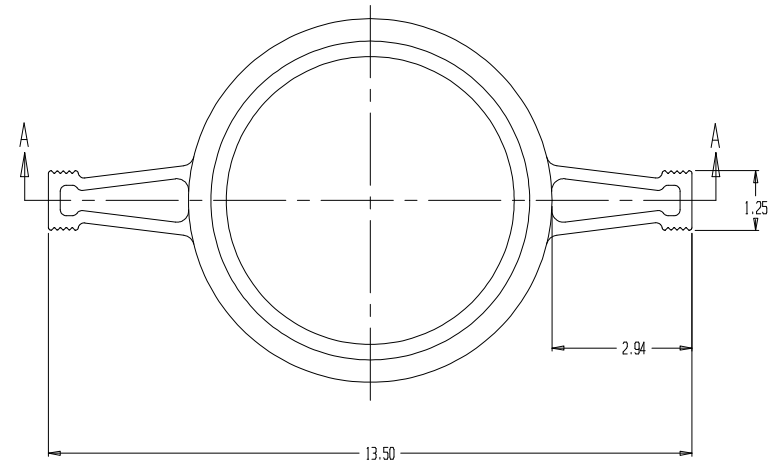


REVISIONS			
REV	DESCRIPTION	DATE	APPROVED



SECTION A-A

- NOTES:  
 1. MATERIAL - BRASS  
 2. CHROME PLATED  
 3. SEAL WASHER INSTALLED INTO CAP  
 U.S. PATENT # 7,416,223

	CAP - 6" NH		
	REPORT ERRORS & CHANGES REMOVE ALL SHARP EDGES UNLESS OTHERWISE SPECIFIED ALL DIMENSIONS ARE IN INCHES	STANDARD TOLERANCES: DECIMALS .XX ± .030 .XXX ± .015	ANGLES ± 1/2°
COPYRIGHT © DRAWING NOT TO BE REPRODUCED OR USED TO MAKE OTHER DRAWINGS OR MACHINERY	SIZE B	DWG NO. 01.003.0PC	REV
DRAWN BY 001 CHECKED BY 001	DATE 08/02/2000	SCALE 1:4	SHEET 1 OF 1