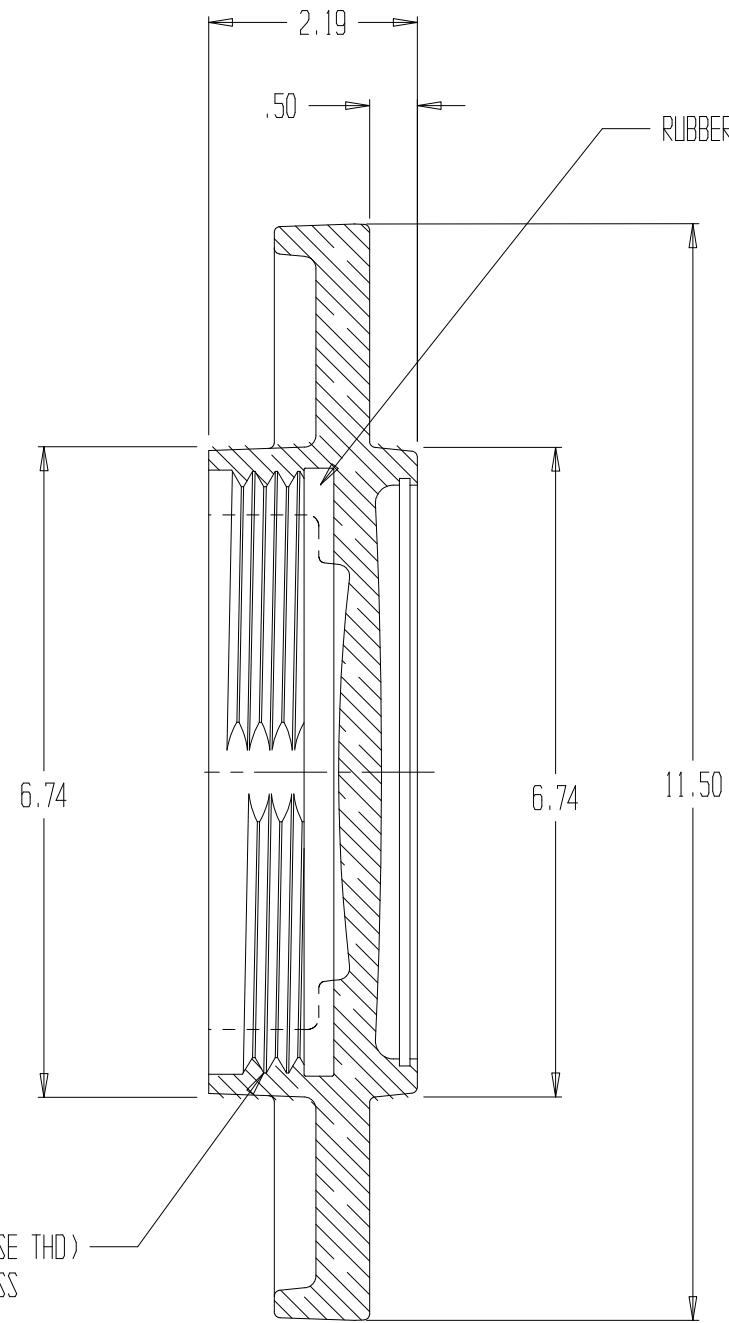
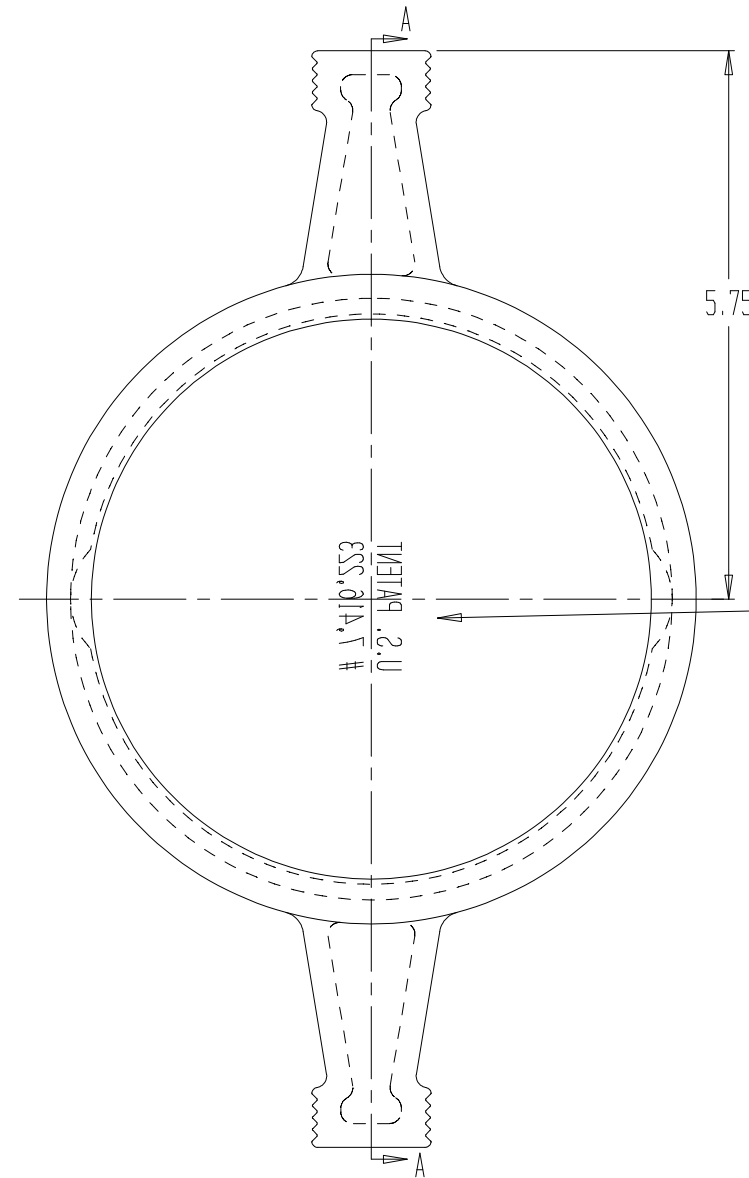


REVISIONS				
REV	DESCRIPTION	DATE	DRAWN BY	APPROVED



SECTION A-A



U.S. PATENT  
# 7,416,223

NOTES:

- 1) CHROME PLATED
- 2) MATERIAL: BRASS
- 3) RUBBER WASHER INCLUDED IN ASSEMBLY



CAP, 5"NH, LONG HANDLE

REPORT ERRORS & CHANGES  
REMOVE ALL SHARP EDGES  
UNLESS OTHERWISE SPECIFIED  
ALL DIMENSIONS ARE IN INCHES

STANDARD TOLERANCES:

DECIMALS	ANGLES
.XX ± .030	± 1/2°
.XXX ± .015	

COPYRIGHT © DRAWING NOT TO BE REPRODUCED OR USED TO MAKE OTHER DRAWINGS OR MACHINERY		SIZE B	DWG NO.	01.009.4PC	REV C
DRAWN BY MS	CHECKED BY MS	DATE 03/20/2002	SCALE 1:2	SHEET 1 OF 1	