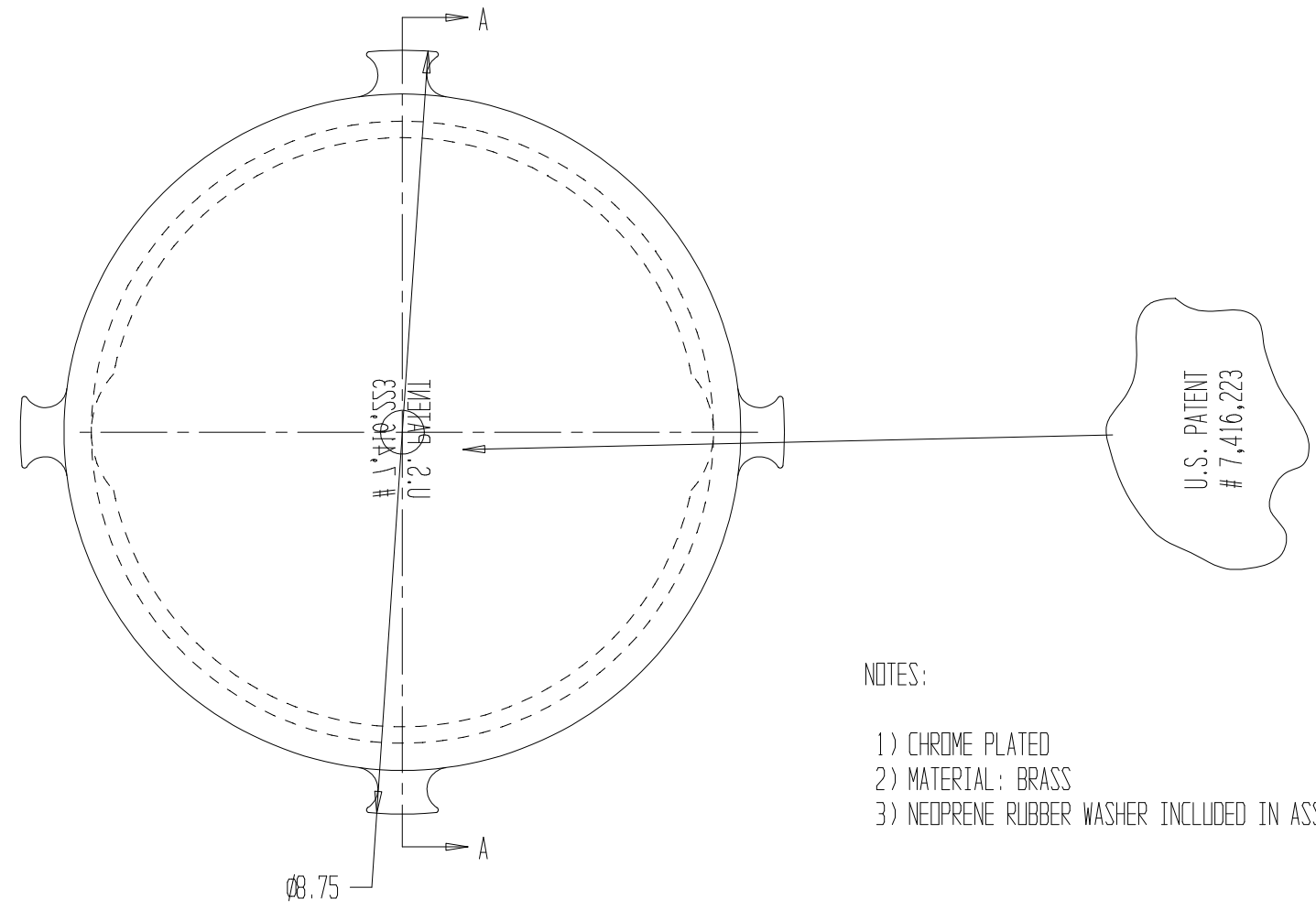
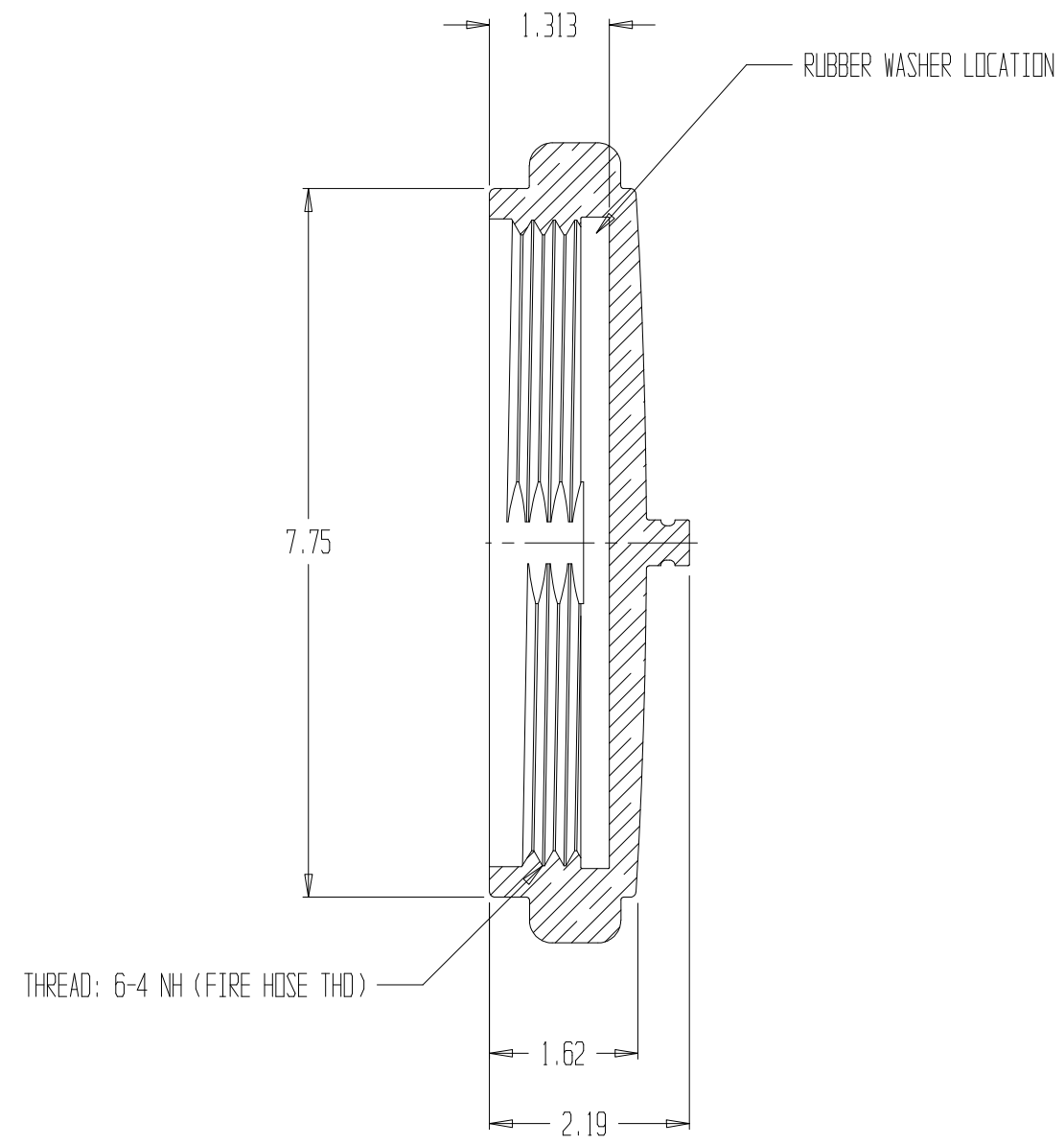


REVISIONS				
REV	DESCRIPTION	DATE	DRAWN BY	APPROVED



- NOTES:
- 1) CHROME PLATED
 - 2) MATERIAL: BRASS
 - 3) NEOPRENE RUBBER WASHER INCLUDED IN ASSEMBLY

U.S. PATENT
7,416,223

	CAP, 6"NH, ROCKER LUGS		
	REPORT ERRORS & CHANGES REMOVE ALL SHARP EDGES UNLESS OTHERWISE SPECIFIED ALL DIMENSIONS ARE IN INCHES	STANDARD TOLERANCES: DECIMALS .XX ± .030 .XXX ± .015	ANGLES ± 1/2°
COPYRIGHT © DRAWING NOT TO BE REPRODUCED OR USED TO MAKE OTHER DRAWINGS OR MACHINERY	SIZE B	DWG NO. 01.003.41PC	REV
DRAWN BY MS CHECKED BY MS	DATE 06/05/2002	SCALE 1:2	SHEET 1 OF 1