

REVISIONS				
REV	DESCRIPTION	DATE	DRAWN BY	APPROVED

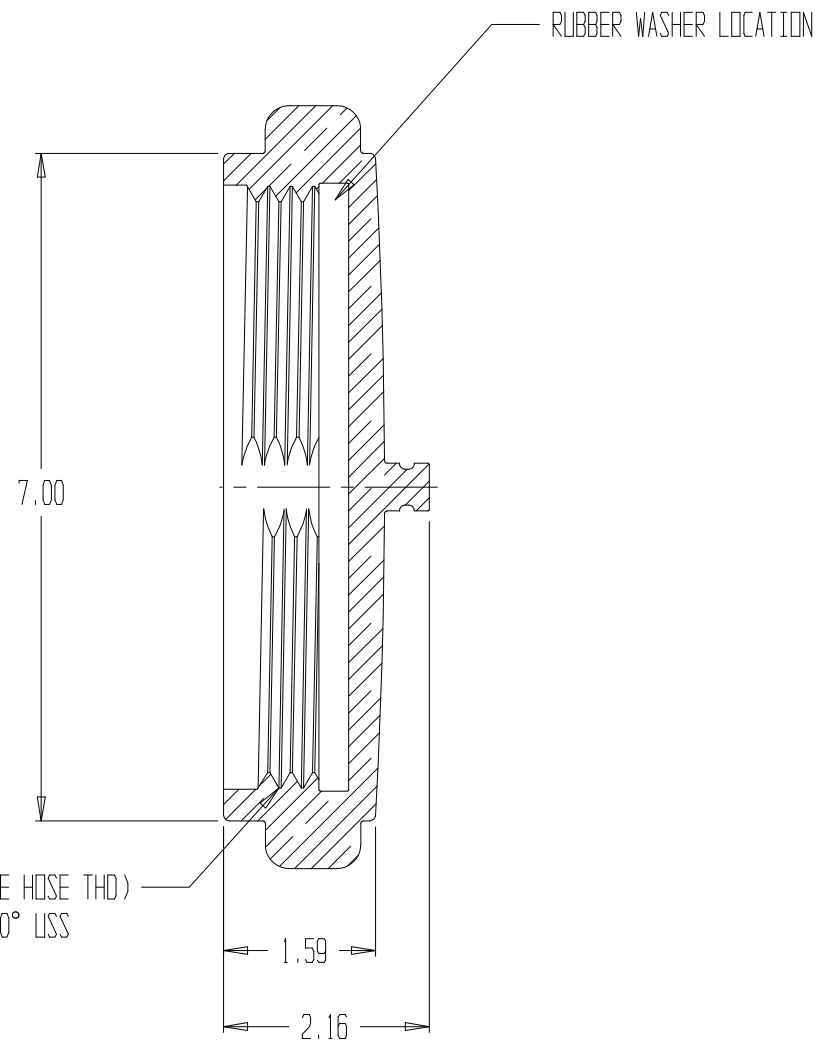
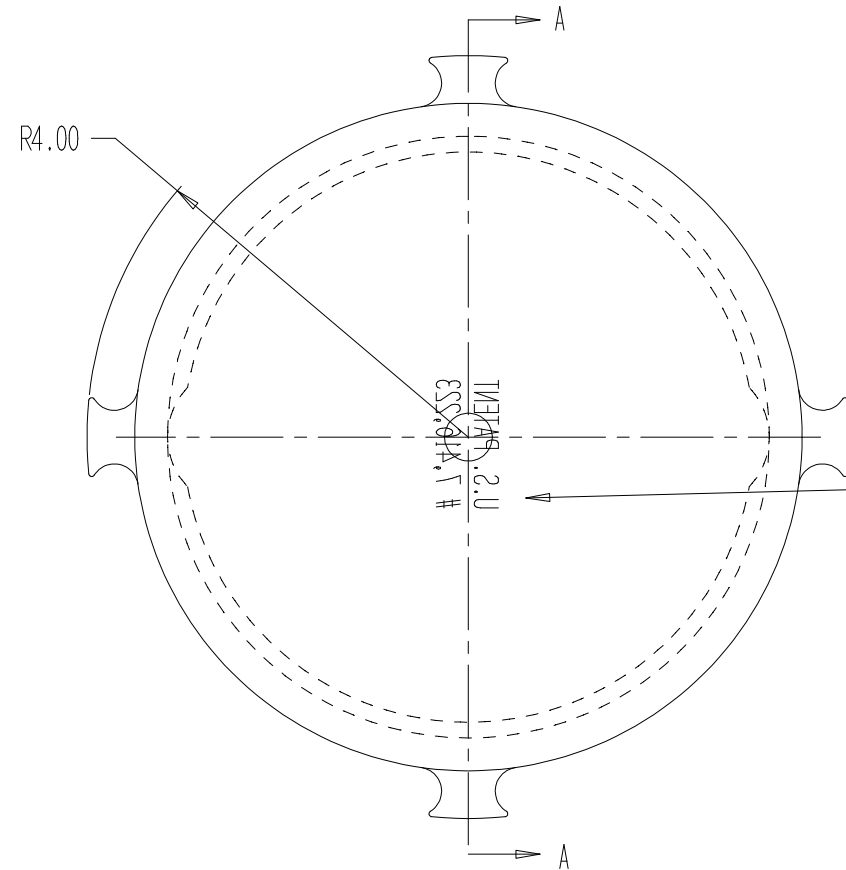
S

S-HOOK  
MAT'L: 304 STAINLESS


U.S. PATENT  
# 7,416,223

NOTES:

- 1) CHROME PLATED
- 2) MATERIAL: BRASS
- 3) NEOPRENE RUBBER WASHER INCLUDED IN ASSEMBLY
- 4) 12"LG STAINLESS VINYL COATED CABLE INCLUDED IN ASSEMBLY, NOT SHOWN.



SECTION A-A

 <b>EMERGENCY PRODUCTS, LLC</b>	CAP, 5"NH, ROCKER LUGS		
	REPORT ERRORS & CHANGES REMOVE ALL SHARP EDGES UNLESS OTHERWISE SPECIFIED ALL DIMENSIONS ARE IN INCHES	STANDARD TOLERANCES: DECIMALS .XX ± .030 .XXX ± .015	ANGLES ± 1/2°
COPYRIGHT © DRAWING NOT TO BE REPRODUCED OR USED TO MAKE OTHER DRAWINGS OR MACHINERY	SIZE B	DWG NO. 01.009.36PC	REV
DRAWN BY MS CHECKED BY MS	DATE 06/04/2002	SCALE 1:2	SHEET 1 OF 1