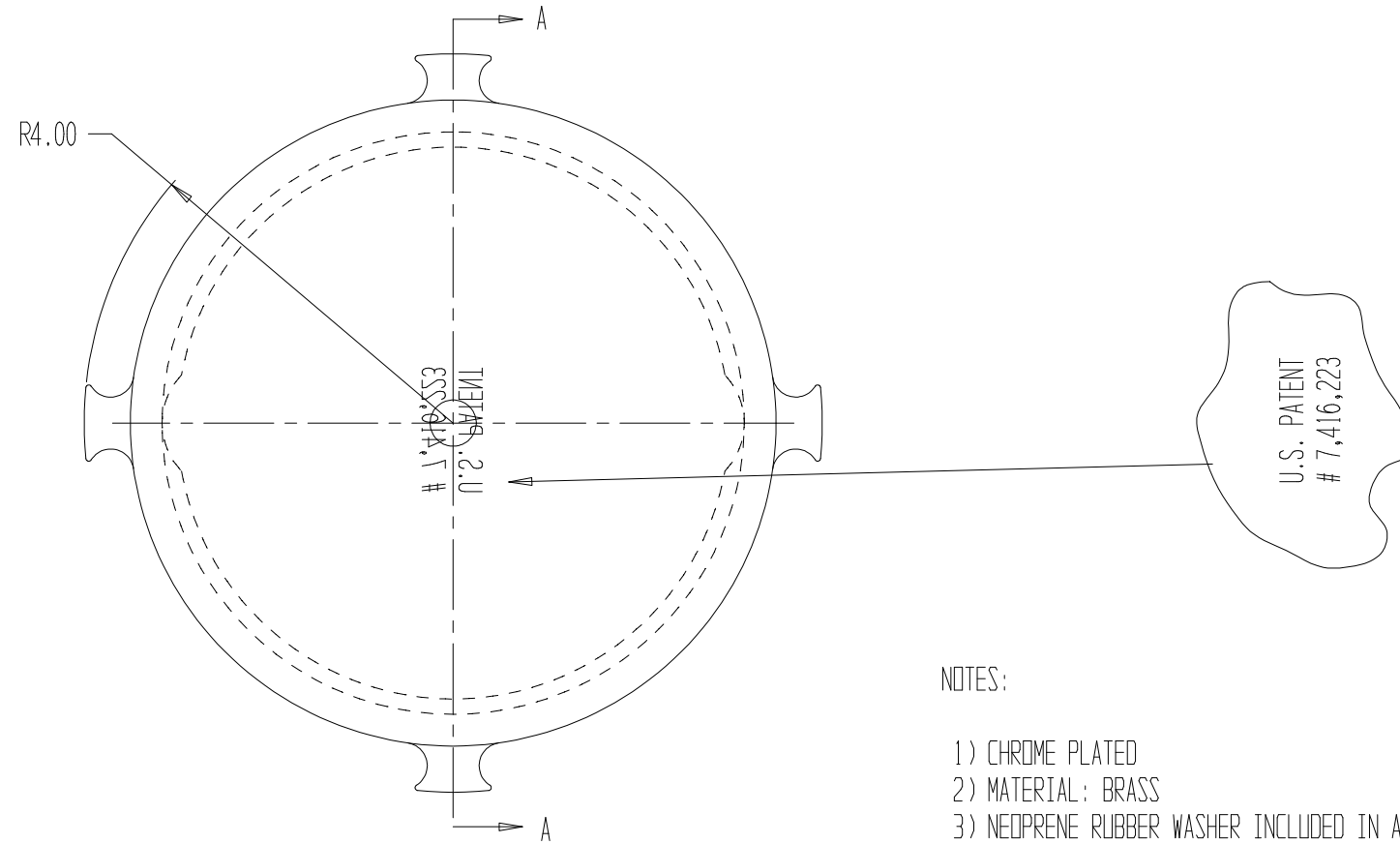
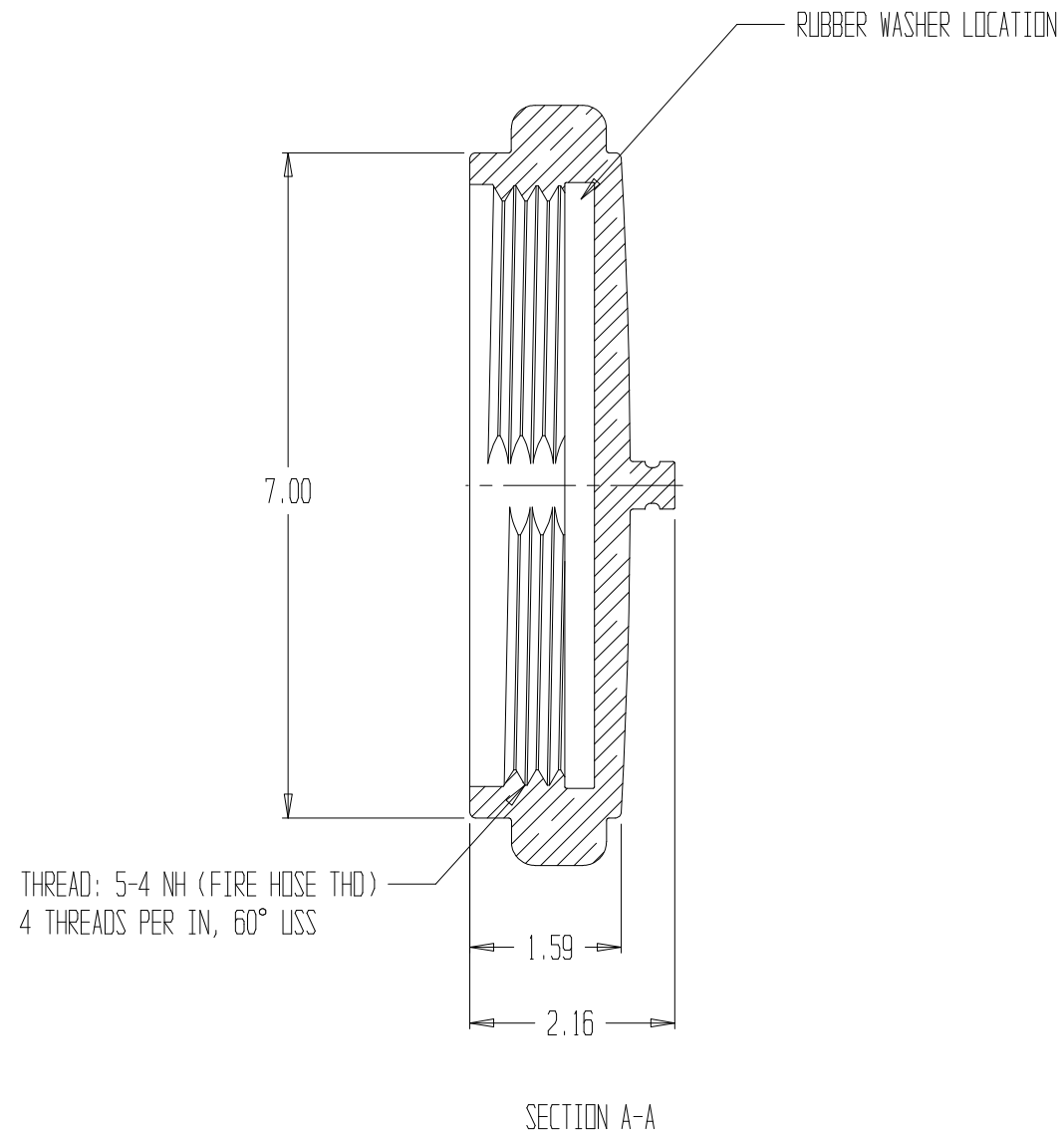


REVISIONS				
REV	DESCRIPTION	DATE	DRAWN BY	APPROVED



	CAP, 5" NH, ROCKER LUGS		
	REPORT ERRORS & CHANGES REMOVE ALL SHARP EDGES UNLESS OTHERWISE SPECIFIED ALL DIMENSIONS ARE IN INCHES	STANDARD TOLERANCES: DECIMALS .XX ± .030 .XXX ± .015	ANGLES ± 1/2°
COPYRIGHT © DRAWING NOT TO BE REPRODUCED OR USED TO MAKE OTHER DRAWINGS OR MACHINERY	SIZE B	DWG NO. 01.009.35PC	REV
DRAWN BY MS CHECKED BY MS	DATE 06/04/2002	SCALE 1:2	SHEET 1 OF 1