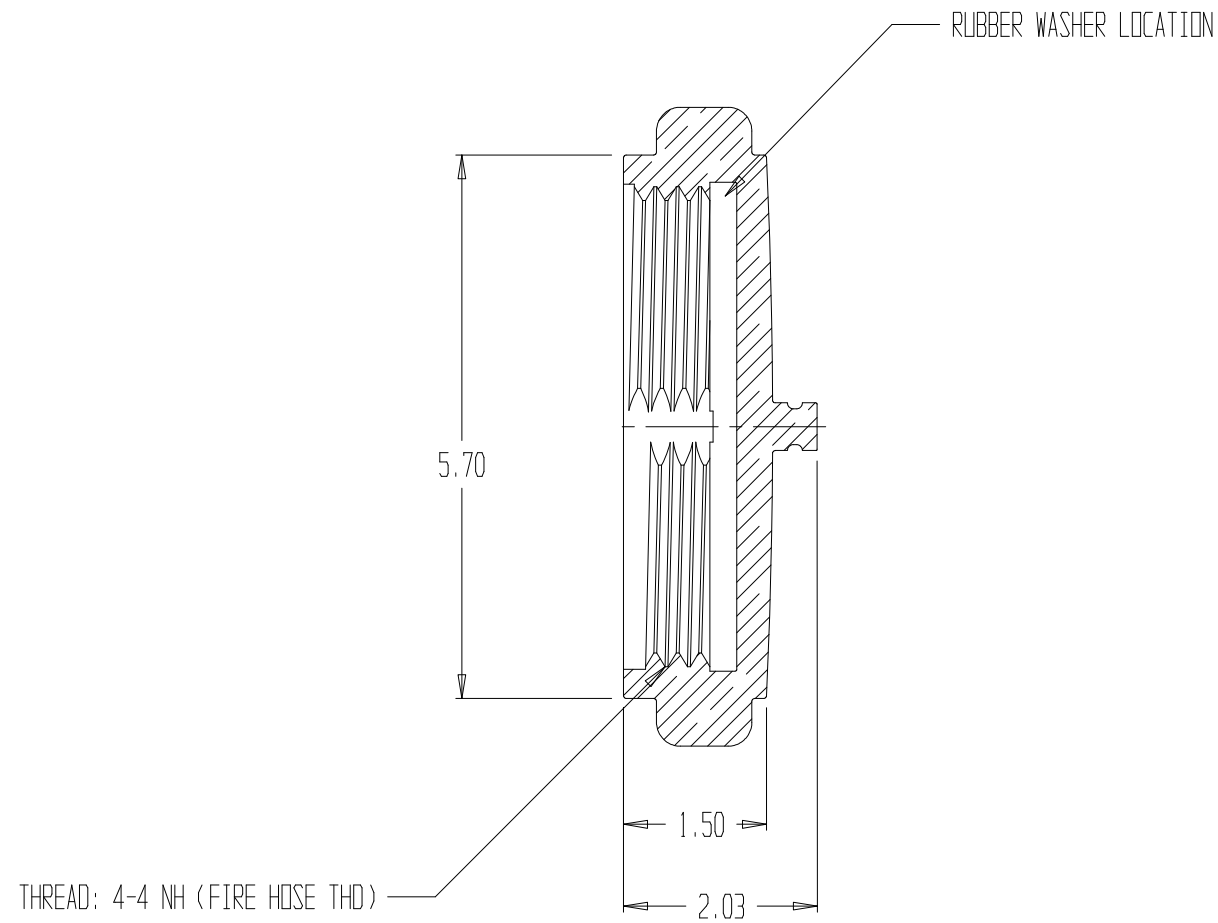
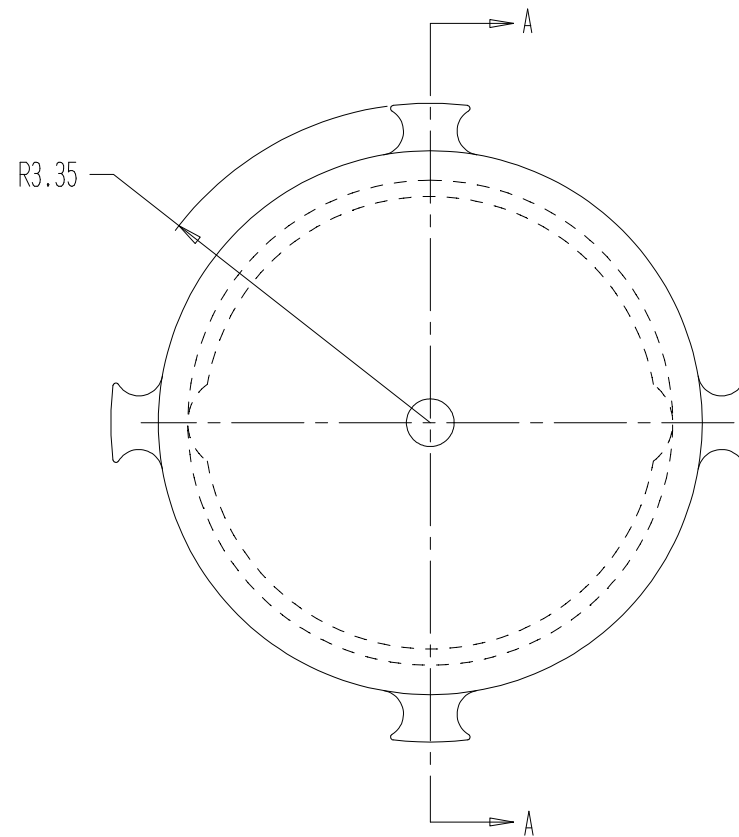


REVISIONS				
REV	DESCRIPTION	DATE	DRAWN BY	APPROVED



S-HOOK
MATERIAL: STAINLESS



SECTION A-A

NOTES:

- 1) CHROME PLATED
 - 2) MATERIAL: BRASS
 - 3) RUBBER WASHER INCLUDED IN ASSEMBLY
 - 4) 12"LG BALL BEAD CHAIN INCLUDED IN ASSEMBLY,
NOT SHOWN (STAINLESS STEEL)
- U.S. PATENT # 7,416,223

 EMERGENCY PRODUCTS, LLC	CAP, 4"NH, ROCKER LUG		
	REPORT ERRORS & CHANGES REMOVE ALL SHARP EDGES UNLESS OTHERWISE SPECIFIED ALL DIMENSIONS ARE IN INCHES	STANDARD TOLERANCES: DECIMALS .XX ± .030 .XXX ± .015	ANGLES ± 1/2°
COPYRIGHT © DRAWING NOT TO BE REPRODUCED OR USED TO MAKE OTHER DRAWINGS OR MACHINERY	SIZE B	DWG NO. 01.021.6PC	REV .
DRAWN BY MS CHECKED BY MS	DATE 08/15/2002	SCALE 1:2	SHEET 1 OF 1