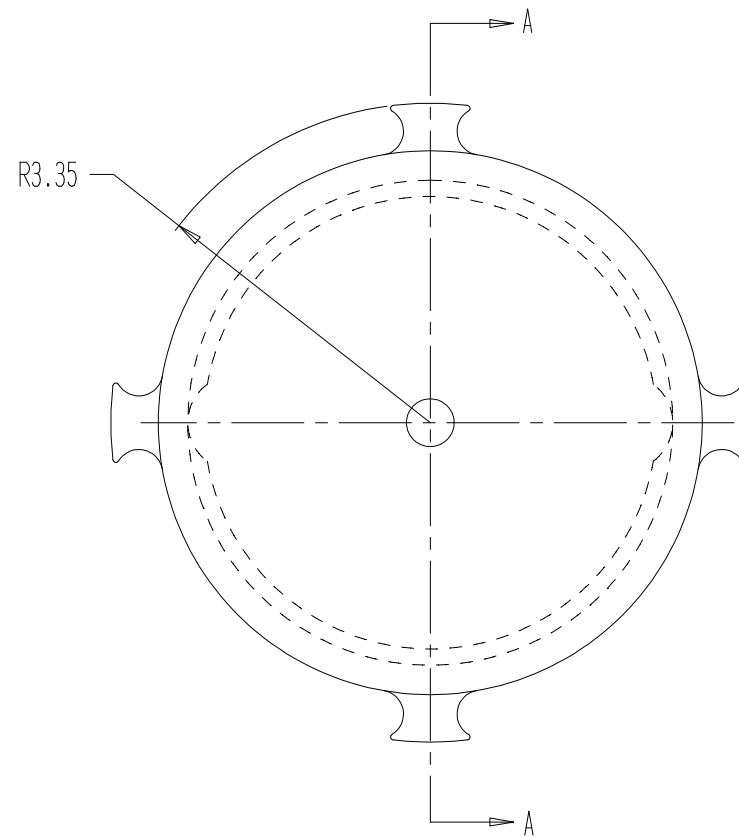
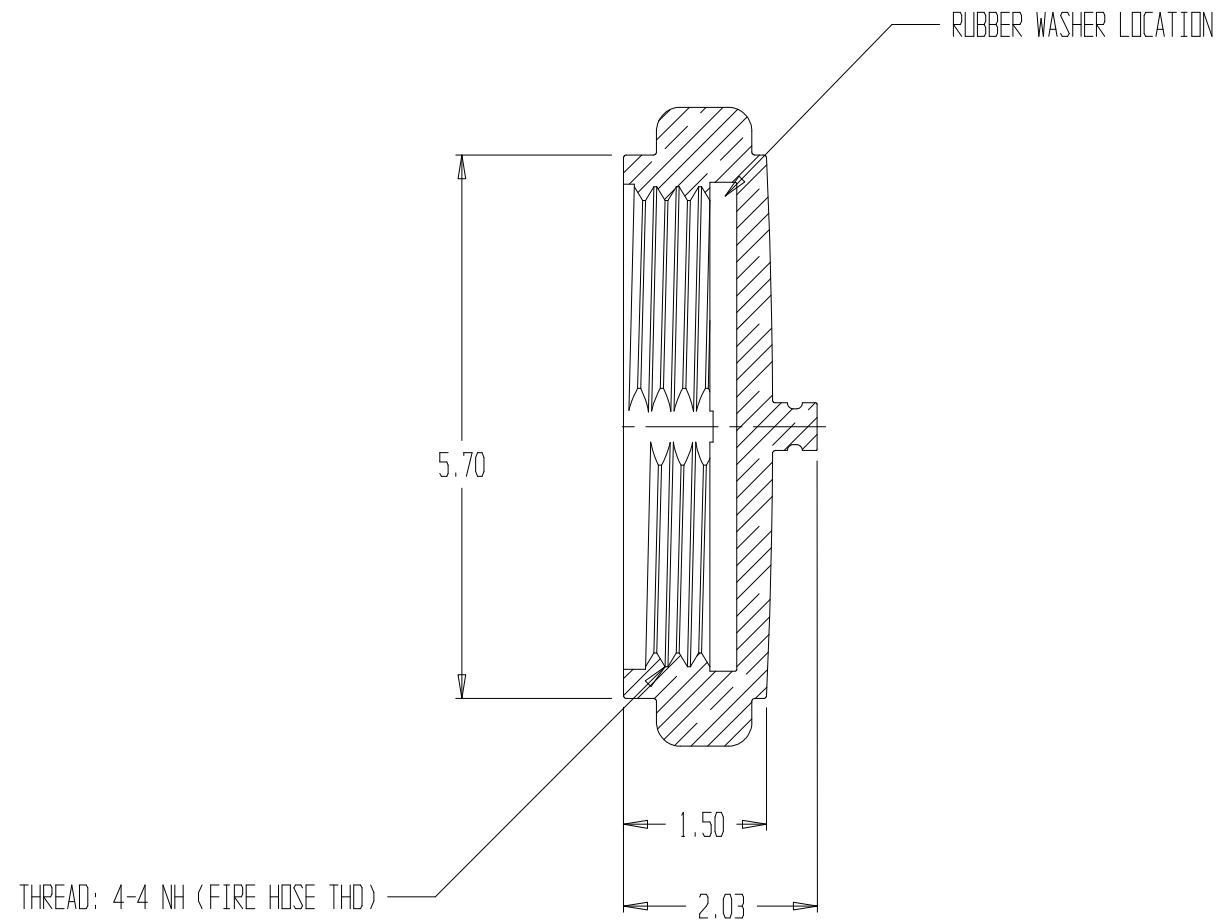


REVISIONS				
REV	DESCRIPTION	DATE	DRAWN BY	APPROVED



NOTES:

- 1) CHROME PLATED
 - 2) MATERIAL: BRASS
 - 3) RUBBER WASHER INCLUDED IN ASSEMBLY
- U.S. PATENT # 7,416,223

SECTION A-A

		CAP, 4" NH, ROCKER LUG		
		REPORT ERRORS & CHANGES REMOVE ALL SHARP EDGES UNLESS OTHERWISE SPECIFIED ALL DIMENSIONS ARE IN INCHES	STANDARD TOLERANCES: DECIMALS .XX ± .030 .XXX ± .015	ANGLES ± 1/2°
COPYRIGHT © DRAWING NOT TO BE REPRODUCED OR USED TO MAKE OTHER DRAWINGS OR MACHINERY		SIZE B	DWG NO. 01.021.9PC	SHEET 1 OF 1
DRAWN BY MS	CHECKED BY MS	DATE 08/15/2002	SCALE 1:2	SHEET 1 OF 1