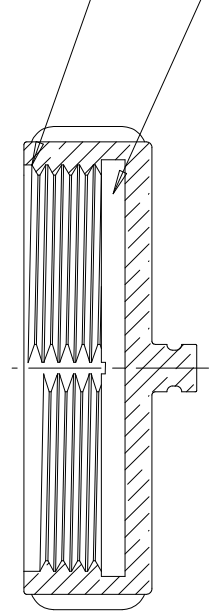
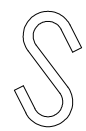
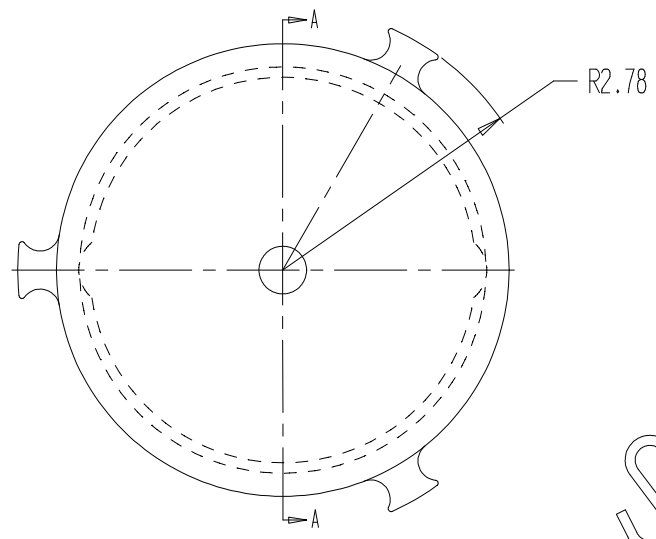
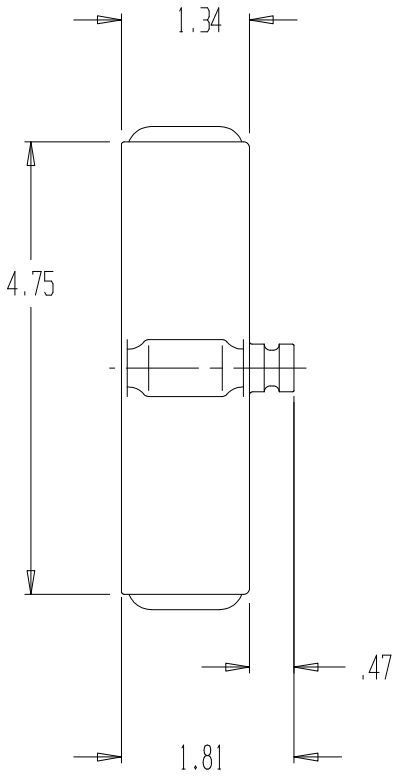


REVISIONS				
REV	DESCRIPTION	DATE	DRAWN BY	APPROVED

RUBBER WASHER LOCATION
 THREAD: 3.5-6 NH (FIRE HOSE THD)



SECTION A-A



S-HOOK (BEFORE CRIMP)
 MAT'L: STAINLESS

NOTES:

- 1) CHROME PLATED
 - 2) MATERIAL: BRASS
 - 3) RUBBER WASHER INCLUDED IN ASSEMBLY
 - 4) 12" LG STAINLESS VINYL COATED BABLE INCLUDED IN ASSEMBLY, NOT SHOWN.
- U.S. PATENT # 7,416,223



CAP ASSEMBLY, 3.5" NH

REPORT ERRORS & CHANGES
 REMOVE ALL SHARP EDGES
 UNLESS OTHERWISE SPECIFIED
 ALL DIMENSIONS ARE IN INCHES

STANDARD TOLERANCES:

DECIMALS	ANGLES
.XX ± .030	± 1/2°
.XXX ± .015	

DRAWING NOT TO BE REPRODUCED OR USED TO MAKE OTHER DRAWINGS OR MACHINERY		SIZE A	DWG NO. 01.043.10PC	REV
DRAWN BY MS	CHECKED BY MS	DATE 06/05/2002	SCALE 1:2	SHEET 1 OF 1

