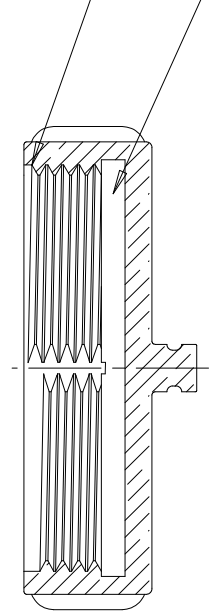


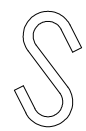
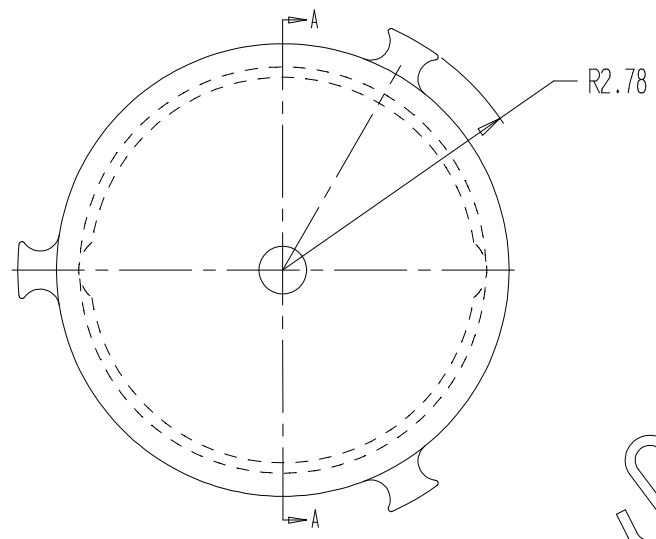
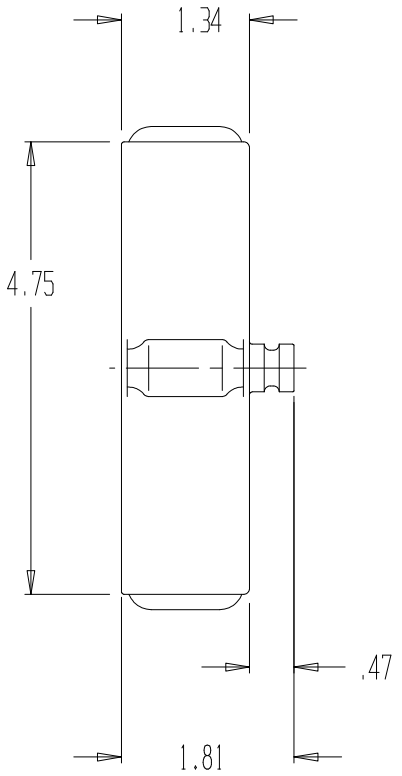
REVISIONS				
REV	DESCRIPTION	DATE	DRAWN BY	APPROVED

RUBBER WASHER LOCATION

THREAD: 3.5-6 NH (FIRE HOSE THD)



SECTION A-A



S-HOOK (BEFORE CRIMP)
MAT'L: STAINLESS

NOTES:

- 1) CHROME PLATED
- 2) MATERIAL: BRASS
- 3) RUBBER WASHER INCLUDED IN ASSEMBLY
- 4) 12" L X .250" Ø BALL BEAD CHAIN INCLUDED IN ASSEMBLY, NOT SHOWN (CHROME PLATED BRASS)

U.S. PATENT # 7,416,223



CAP ASSEMBLY, 3.5" NH

REPORT ERRORS & CHANGES
REMOVE ALL SHARP EDGES
UNLESS OTHERWISE SPECIFIED
ALL DIMENSIONS ARE IN INCHES

STANDARD TOLERANCES:

DECIMALS	ANGLES
.XX ± .030	± 1/2°
.XXX ± .015	

DRAWING NOT TO BE REPRODUCED OR USED TO MAKE OTHER DRAWINGS OR MACHINERY		SIZE A	DWG NO. 01.043.0PC	REV
DRAWN BY MS	CHECKED BY MS	DATE 06/05/2002	SCALE 1:2	SHEET 1 OF 1

