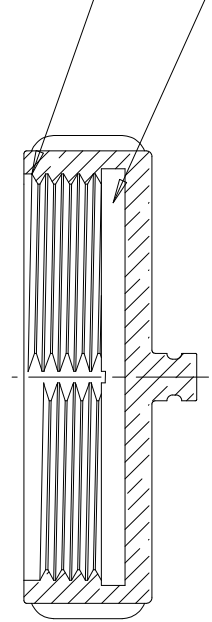


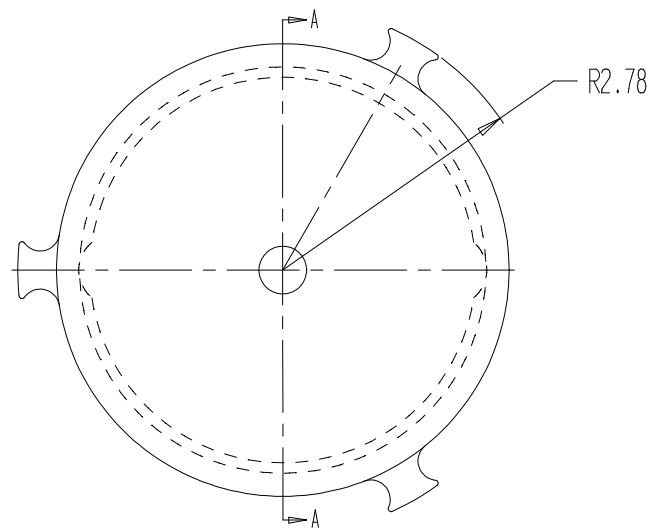
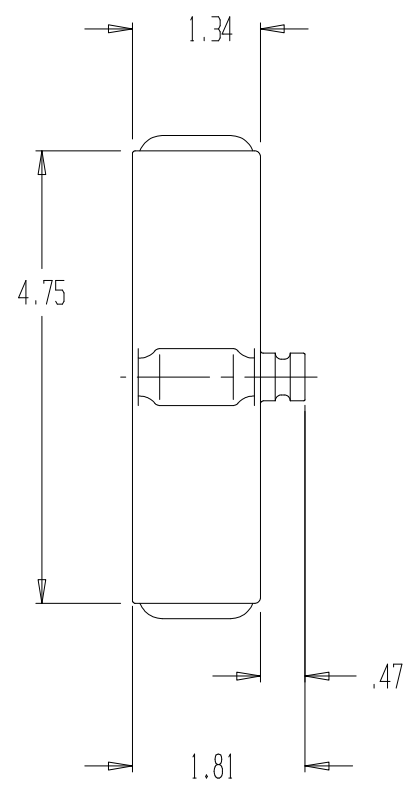
REVISIONS				
REV	DESCRIPTION	DATE	DRAWN BY	APPROVED

RUBBER WASHER LOCATION

THREAD: 3.5-6 NH (FIRE HOSE THD)



SECTION A-A



NOTES:

- 1) CHROME PLATED
  - 2) MATERIAL: BRASS
  - 3) RUBBER WASHER INCLUDED IN ASSEMBLY
- U.S. PATENT # 7,416,223



CAP ASSEMBLY, 3.5" NH

REPORT ERRORS & CHANGES  
 REMOVE ALL SHARP EDGES  
 UNLESS OTHERWISE SPECIFIED  
 ALL DIMENSIONS ARE IN INCHES

STANDARD TOLERANCES:

DECIMALS	ANGLES
.XX ± .030	± 1/2°
.XXX ± .015	

DRAWING NOT TO BE REPRODUCED OR USED TO MAKE OTHER DRAWINGS OR MACHINERY		SIZE A	DWG NO. 01.043.2PC	REV
DRAWN BY MS	CHECKED BY MS	DATE 06/05/2002	SCALE 1:2	SHEET 1 OF 1