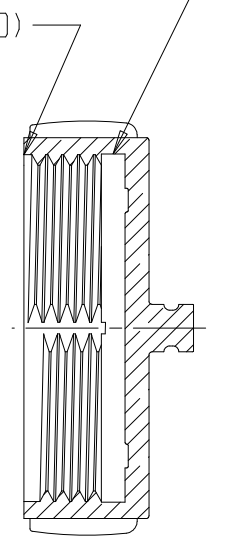


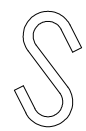
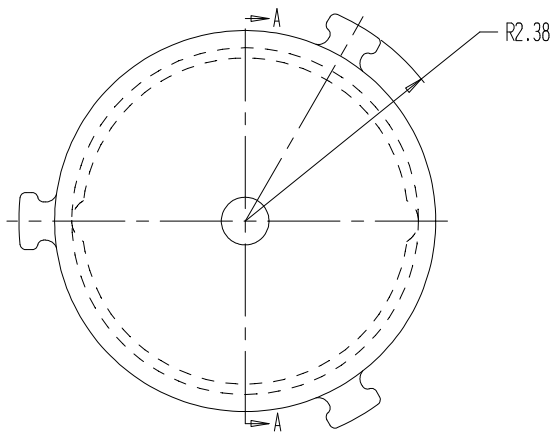
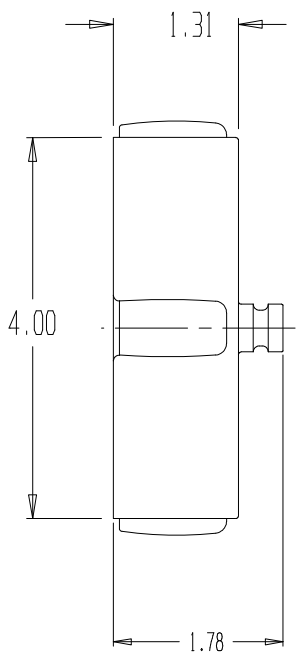
REVISIONS				
REV	DESCRIPTION	DATE	DRAWN BY	APPROVED

RUBBER WASHER LOCATION

THREAD: 3-6 NH (FIRE HOSE THD)



SECTION A-A



S-HOOK (BEFORE CRIMP)  
MAT'L: STAINLESS

NOTES:

- 1) CHROME PLATED
- 2) MATERIAL: BRASS
- 3) RUBBER WASHER INCLUDED IN ASSEMBLY
- 4) 12"LG STAINLESS VINYL COATED CABLE INCLUDED IN ASSEMBLY, NOT SHOWN.

U.S. PATENT # 7,416,223



CAP ASSEMBLY, 3" NH

REPORT ERRORS & CHANGES  
REMOVE ALL SHARP EDGES  
UNLESS OTHERWISE SPECIFIED  
ALL DIMENSIONS ARE IN INCHES

STANDARD TOLERANCES:

DECIMALS	ANGLES
.XX ± .030	± 1/2°
.XXX ± .015	

COPYRIGHT © DRAWING NOT TO BE REPRODUCED OR USED TO MAKE OTHER DRAWINGS OR MACHINERY		SIZE A	DWG NO.	REV
DRAWN BY MS	DATE 10/04/2001	SCALE 1:2	01.015.10PC	
CHECKED BY MS			SHEET 1 OF 1	