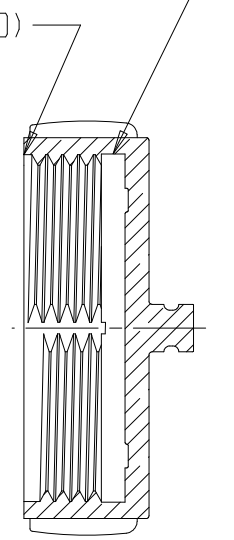


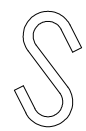
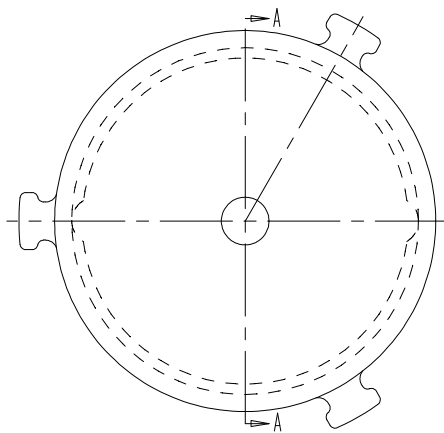
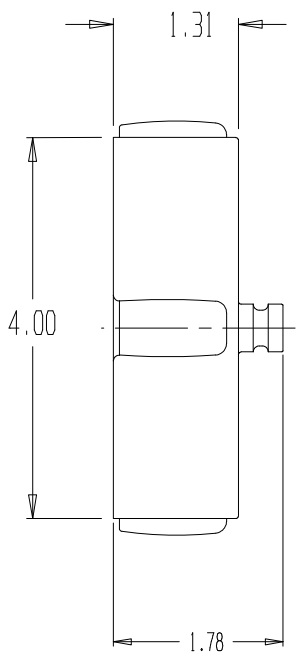
| REVISIONS | | | | |
|-----------|-------------|------|----------|----------|
| REV | DESCRIPTION | DATE | DRAWN BY | APPROVED |
| | | | | |
| | | | | |
| | | | | |

RUBBER WASHER LOCATION

THREAD: 3-6 NH (FIRE HOSE THD)



SECTION A-A



S-HOOK (BEFORE CRIMP)
MAT'L: STAINLESS

NOTES:

- 1) CHROME PLATED
- 2) MATERIAL: BRASS
- 3) RUBBER WASHER INCLUDED IN ASSEMBLY
- 4) 12" L X .250" Ø BALL BEAD CHAIN INCLUDED IN ASSEMBLY, NOT SHOWN (CHROME PLATED BRASS)



CAP ASSEMBLY, 3" NH

REPORT ERRORS & CHANGES
REMOVE ALL SHARP EDGES
UNLESS OTHERWISE SPECIFIED
ALL DIMENSIONS ARE IN INCHES

STANDARD TOLERANCES:

| | |
|-------------|--------|
| DECIMALS | ANGLES |
| .XX ± .030 | ± 1/2° |
| .XXX ± .015 | |

| | | | | | |
|--|----|-----------------|-----------|------------|--------------|
| DRAWING NOT TO BE REPRODUCED OR USED TO MAKE OTHER DRAWINGS OR MACHINERY | | COPYRIGHT © | SIZE A | DWG NO. | REV |
| DRAWN BY | MS | DATE 10/04/2001 | SCALE 1:2 | 01.015.0PC | |
| CHECKED BY | MS | | | | SHEET 1 OF 1 |