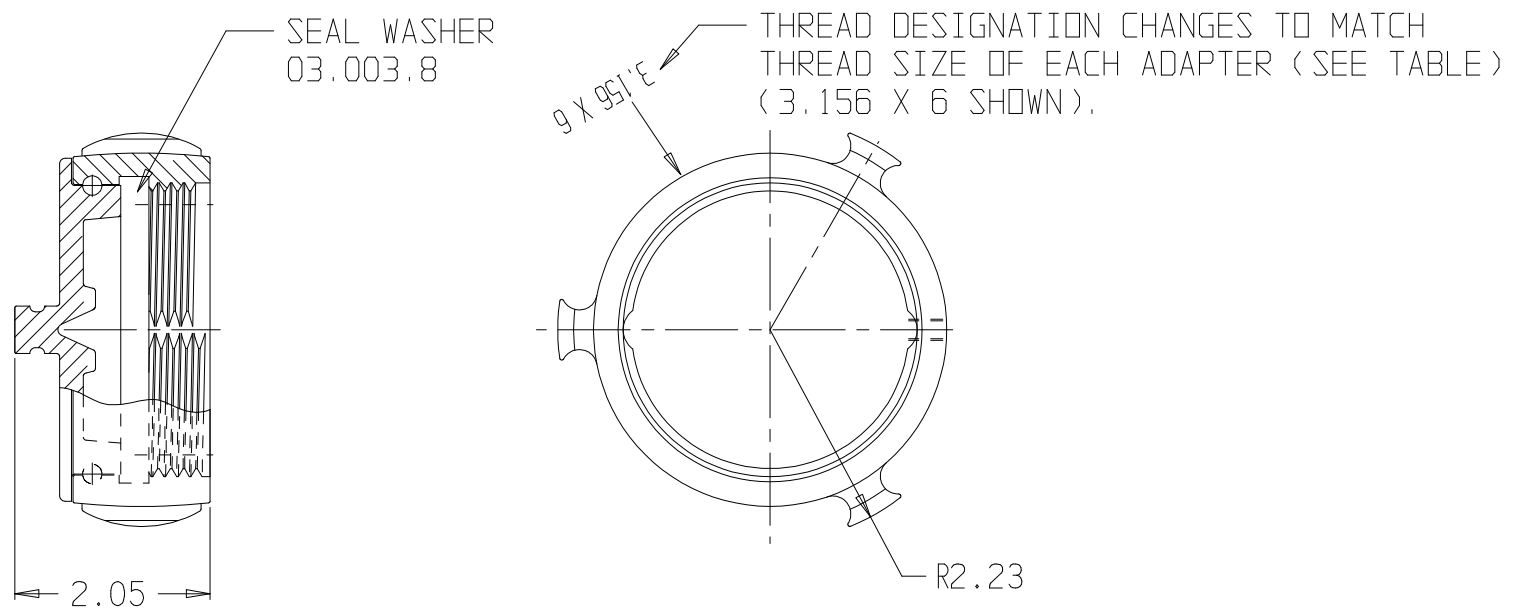



PART NO.	THREAD FORM
01.S06.5	3.125 X 7.5 TPI
01.S06.7	3.234 X 6 TPI
01.S06.9	3.156 X 6 TPI
01.S06.12	2.843 X 8 TPI
01.S06.18	3.340 X 6 TPI
01.S06.22	3.230 X 5 TPI
01.S06.23	3.125 X 5 TPI
01.S06.24	3.234 X 6 TPI
01.S06.26	2.953 X 7.5TPI
01.S06.28	2.940 x 7.5TPI
01.S06.29	3.175 X 6 TPI
01.S06.30	3.250 X 6 TPI
01.S06.31	3.250 X 5 TPI
01.S06.32	2.990 X 7.5TPI
01.S06.34	3.187 X 6 TPI
01.S06.35	2.841 X 8 TPI
01.S06.38	2.950 X 8 TPI
01.S06.39	2.968 X 8 TPI
01.S06.40	3.125 X 5 TPI
01.S06.41	3.125 X 6 TPI

REVISIONS				
REV	DESCRIPTION	DATE	DRAWN BY	APPROVED



- NOTES:
- 1) CHROME PLATED
 - 2) ASSEMBLE WITH 12" LONG BEAD CHAIN

 EMERGENCY PRODUCTS, LLC	2.5" SPECIAL VLH THD CAP		
	<small>REPORT ERRORS & CHANGES REMOVE ALL SHARP EDGES UNLESS OTHERWISE SPECIFIED ALL DIMENSIONS ARE IN INCHES</small>	<small>STANDARD TOLERANCES:</small> <small>DECIMALS .XX ± .030 .XXX ± .015</small>	<small>ANGLES ± 1/2°</small>
<small>COPYRIGHT © DRAWING NOT TO BE REPRODUCED OR USED TO MAKE OTHER DRAWINGS OR MACHINERY</small>	<small>SIZE . B</small>	<small>DWG NO. 01.S06.XXPC</small>	<small>REV</small>
<small>DRAWN BY MS CHECKED BY MS</small>	<small>DATE 10/24/2003</small>	<small>SCALE 1:2</small>	<small>SHEET 1 OF 2</small>