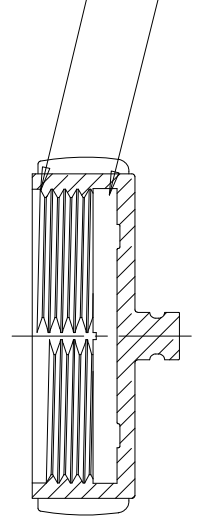
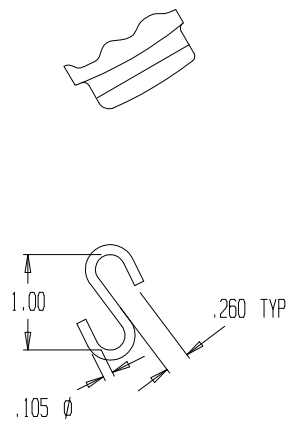
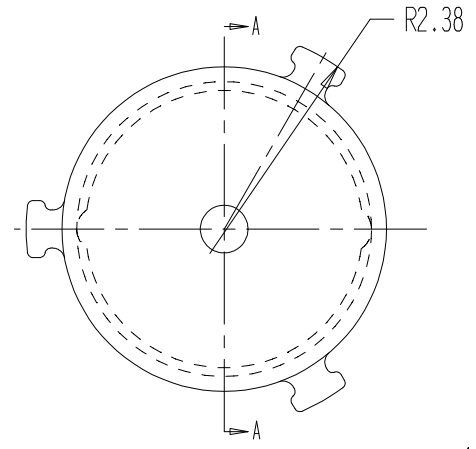
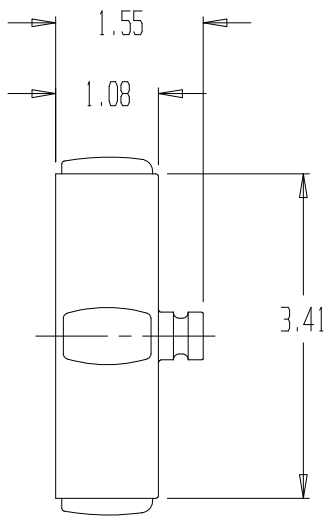


REVISIONS				
REV	DESCRIPTION	DATE	DRAWN BY	APPROVED

RUBBER WASHER LOCATION  
 THREAD: 2.5-7.5 NH (FIRE HOSE THD)



SECTION A-A



S-HOOK DETAIL  
 (BEFORE CRIMP)  
 MAT'L: 304 S.S.

- NOTES:
- 1) CHROME PLATED
  - 2) MATERIAL: BRASS
  - 3) RUBBER WASHER INCLUDED IN ASSEMBLY
  - 4) 12" LONG STAINLESS STEEL VINYL COATED CABLE INCLUDED IN ASSEMBLY, NOT SHOWN.
- U.S. PATENT # 7,416,223



CAP ASSEMBLY, 2-1/2" NH

REPORT ERRORS & CHANGES  
 REMOVE ALL SHARP EDGES  
 UNLESS OTHERWISE SPECIFIED  
 ALL DIMENSIONS ARE IN INCHES

STANDARD TOLERANCES:

DECIMALS	ANGLES
.XX ± .030	± 1/2°
.XXX ± .015	

COPYRIGHT © DRAWING NOT TO BE REPRODUCED OR USED TO MAKE OTHER DRAWINGS OR MACHINERY		SIZE A	DWG NO.	01.006.10PC	REV
DRAWN BY MS	CHECKED BY MS	DATE 11/12/2001	SCALE 1:2	SHEET 1 OF 1	