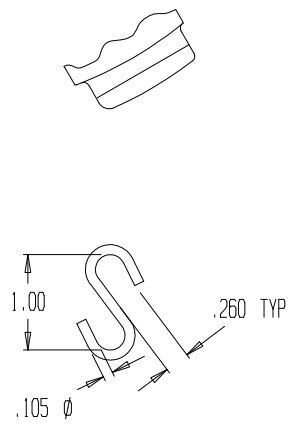
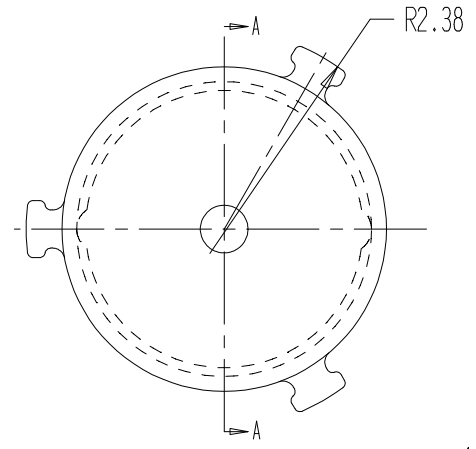
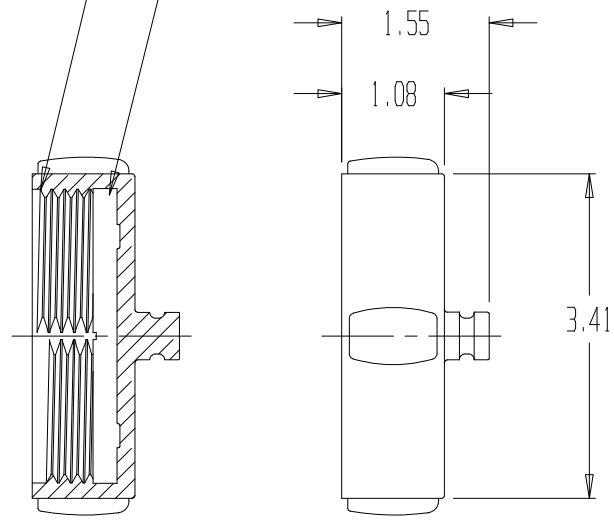


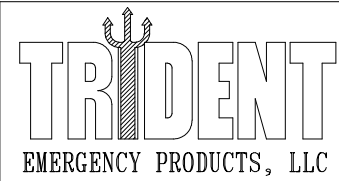
REVISIONS				
REV	DESCRIPTION	DATE	DRAWN BY	APPROVED

RUBBER WASHER LOCATION
 THREAD: 2.5-7.5 NH (FIRE HOSE THD)



SECTION A-A

NOTES:
 1) CHROME PLATED
 2) MATERIAL: BRASS
 3) RUBBER WASHER INCLUDED IN ASSEMBLY
 4) 12" LONG BALL BEAD CHAIN INCLUDED IN ASSEMBLY,
 NOT SHOWN FOR CLARITY (CHROME PLATED BRASS)
 U.S. PATENT # 7,416,223



CAP ASSEMBLY, 2-1/2" NH

REPORT ERRORS & CHANGES
 REMOVE ALL SHARP EDGES
 UNLESS OTHERWISE SPECIFIED
 ALL DIMENSIONS ARE IN INCHES

STANDARD TOLERANCES:
 DECIMALS .XX ± .030
 .XXX ± .015
 ANGLES ± 1/2°

DRAWING NOT TO BE REPRODUCED OR USED TO MAKE OTHER DRAWINGS OR MACHINERY		COPYRIGHT ©	SIZE A	DWG NO.	REV
DRAWN BY MS	CHECKED BY MS	DATE 11/12/2001	SCALE 1:2	01.006.0PC	
			SHEET 1 OF 1		