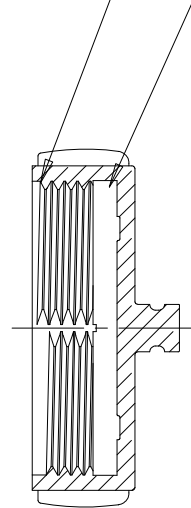


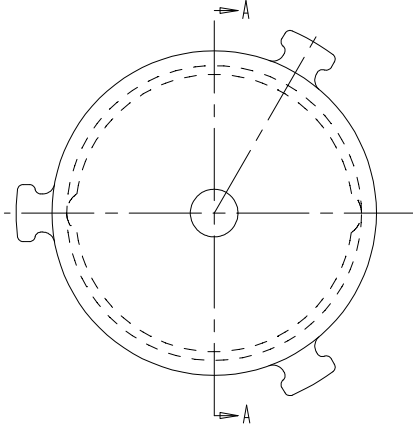
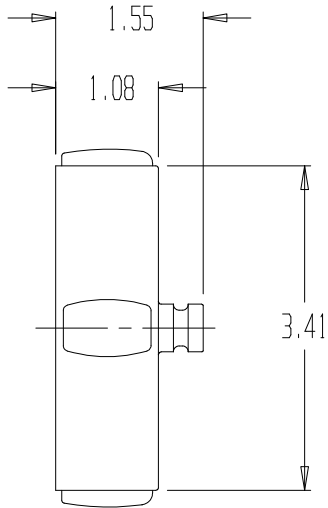
REVISIONS				
REV	DESCRIPTION	DATE	DRAWN BY	APPROVED

RUBBER WASHER LOCATION

THREAD: 2.5-7.5 NH (FIRE HOSE THD)



SECTION A-A



NOTES:

- 1) CHROME PLATED
 - 2) MATERIAL: BRASS
 - 3) RUBBER WASHER INCLUDED IN ASSEMBLY
- U.S. PATENT # 7,416,223



CAP ASSEMBLY, 2-1/2" NH

REPORT ERRORS & CHANGES
REMOVE ALL SHARP EDGES
UNLESS OTHERWISE SPECIFIED
ALL DIMENSIONS ARE IN INCHES

STANDARD TOLERANCES:

DECIMALS	ANGLES
.XX ± .030	± 1/2°
.XXX ± .015	

DRAWING NOT TO BE REPRODUCED OR USED TO MAKE OTHER DRAWINGS OR MACHINERY		SIZE A	DWG NO. 01.006.9PC	REV
DRAWN BY MS	CHECKED BY MS	DATE 10/29/2002	SCALE 1:2	SHEET 1 OF 1