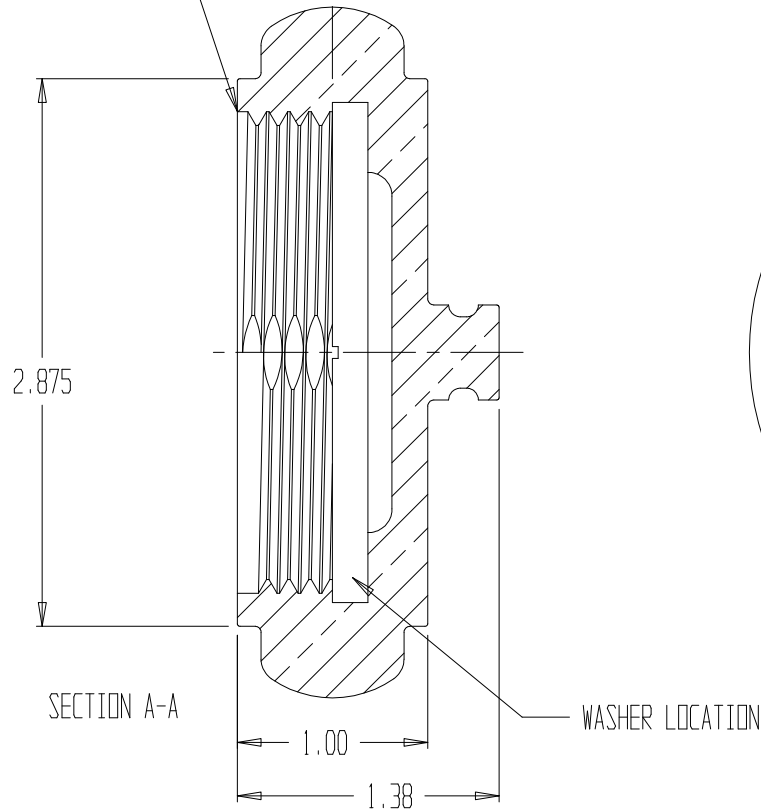
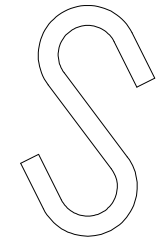
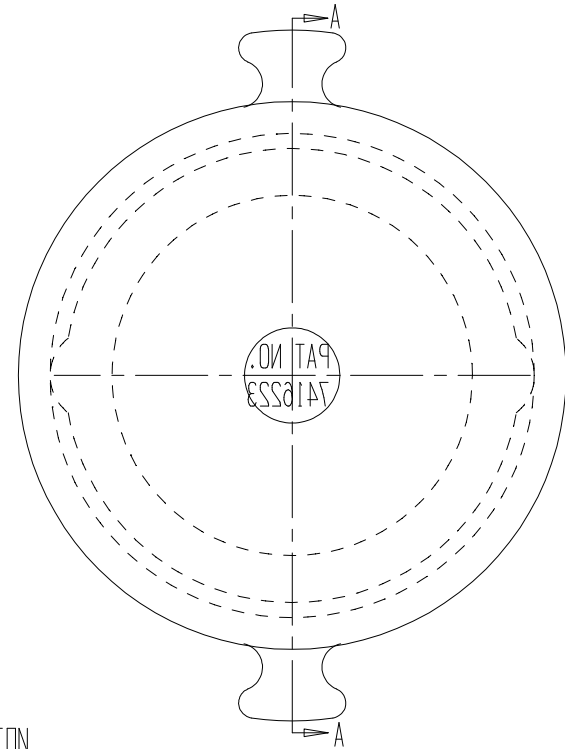


THREAD: 2-8 NH (FIRE HOSE THD)



REVISIONS				
REV	DESCRIPTION	DATE	DRAWN BY	APPROVED



S-HOOK (BEFORE CRIMP)  
MAT'L: STAINLESS

NOTES:

- 1) CHROME PLATED
- 2) MATERIAL: BRASS
- 3) RUBBER WASHER INCLUDED IN ASSEMBLY
- 4) 12"L X .250"Ø BALL BEAD CHAIN INCLUDED IN ASSEMBLY, NOT SHOWN (CHROME PLATED BRASS)



CAP, 2 NH (CHROME)

REPORT ERRORS & CHANGES  
REMOVE ALL SHARP EDGES  
UNLESS OTHERWISE SPECIFIED  
ALL DIMENSIONS ARE IN INCHES

STANDARD TOLERANCES:

DECIMALS	ANGLES
.XX ± .030	± 1/2°
.XXX ± .015	

COPYRIGHT ©  
DRAWING NOT TO BE REPRODUCED OR USED TO  
MAKE OTHER DRAWINGS OR MACHINERY

DRAWN BY	MS	DATE 04/16/2010
CHECKED BY	MS	

SIZE	A
SCALE	1:1

DWG NO.	01.050.2PC	REV	
SHEET 1 OF 1			