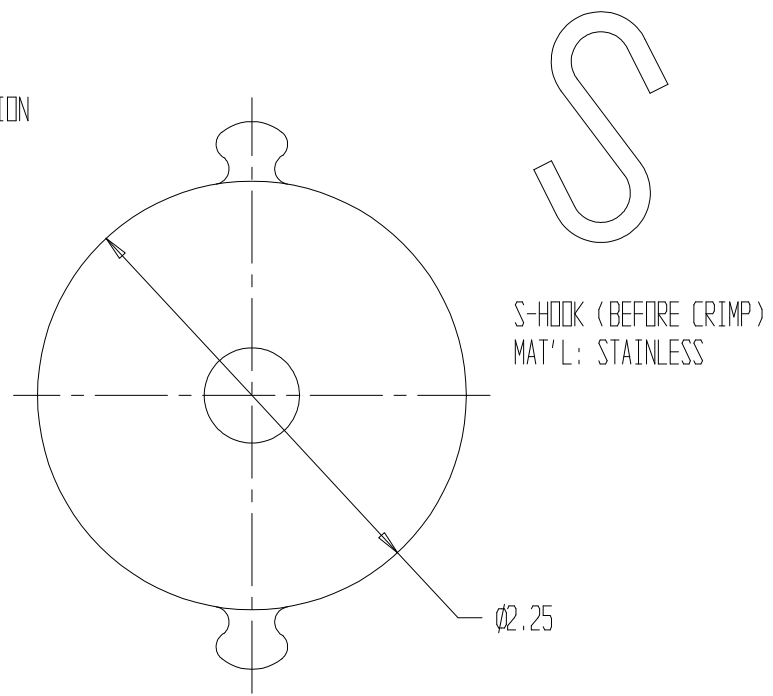
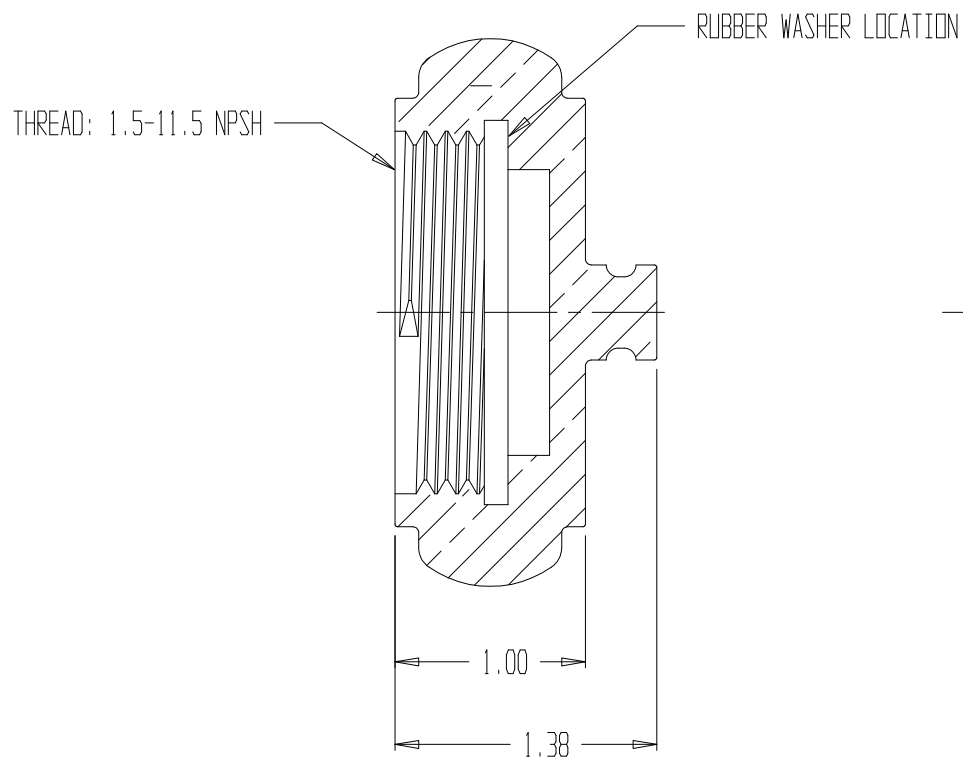


REVISIONS				
REV	DESCRIPTION	DATE	DRAWN BY	APPROVED



NOTES:

- 1) CHROME PLATED
  - 2) MATERIAL: BRASS
  - 3) RUBBER WASHER INCLUDED IN ASSEMBLY
  - 4) 12" L X .250"  $\varnothing$  BALL BEAD CHAIN INCLUDED IN ASSEMBLY, NOT SHOWN (CHROME PLATED BRASS)
- U.S. PATENT # 7,416,223



CAP, 1-1/2 NPSH ( CHROME )

REPORT ERRORS & CHANGES  
REMOVE ALL SHARP EDGES  
UNLESS OTHERWISE SPECIFIED  
ALL DIMENSIONS ARE IN INCHES

STANDARD TOLERANCES:

DECIMALS	ANGLES
.XX ± .030	± 1/2°
.XXX ± .015	

DRAWING NOT TO BE REPRODUCED OR USED TO MAKE OTHER DRAWINGS OR MACHINERY		COPYRIGHT ©	SIZE A	DWG NO.	01.005.10PC	REV
DRAWN BY	MS	DATE	05/22/2003	SCALE	1:1	SHEET 1 OF 1
CHECKED BY	MS					