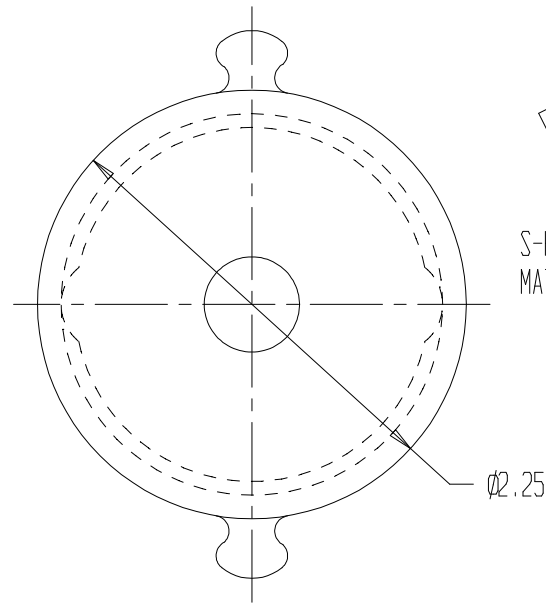
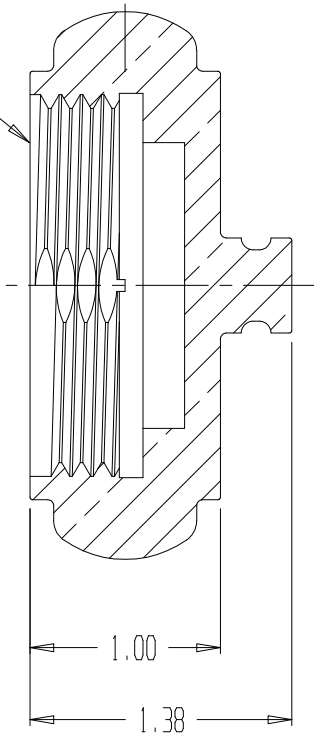


REVISIONS				
REV	DESCRIPTION	DATE	DRAWN BY	APPROVED

THREAD: 1.5-9 NH (FIRE HOSE THD)



S-HOOK (BEFORE CRIMP)
MAT'L: STAINLESS

NOTES:

- 1) CHROME PLATED
 - 2) MATERIAL: BRASS
 - 3) RUBBER WASHER INCLUDED IN ASSEMBLY
 - 4) 12" LG STAINLESS VINYL COATED CABLE INCLUDED IN ASSEMBLY, NOT SHOWN.
- U.S. PATENT # 7,416,223



CAP, 1-1/2 NH (CHROME)

REPORT ERRORS & CHANGES
REMOVE ALL SHARP EDGES
UNLESS OTHERWISE SPECIFIED
ALL DIMENSIONS ARE IN INCHES

STANDARD TOLERANCES:

DECIMALS	ANGLES
.XX ± .030	± 1/2°
.XXX ± .015	

COPYRIGHT ©
DRAWING NOT TO BE REPRODUCED OR USED TO
MAKE OTHER DRAWINGS OR MACHINERY

DRAWN BY	MS	DATE 11/02/2001
CHECKED BY	MS	

SIZE A	DWG NO. 01.005.11PC	REV
SCALE 1:1	SHEET 1 OF 1	