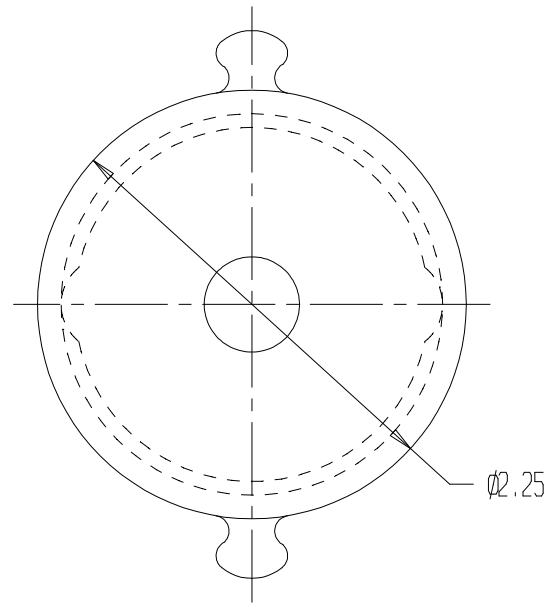
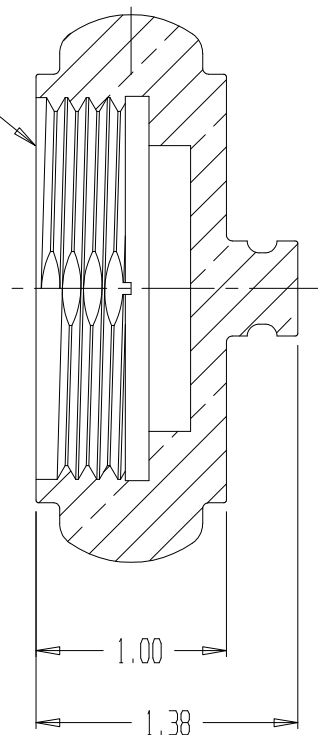


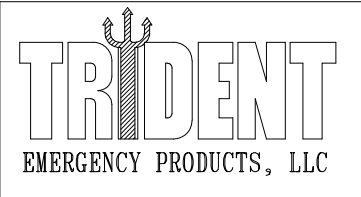
REVISIONS				
REV	DESCRIPTION	DATE	DRAWN BY	APPROVED

THREAD: 1.5-9 NH (FIRE HOSE THD)



NOTES:

- 1) CHROME PLATED
 - 2) MATERIAL: BRASS
 - 3) RUBBER WASHER INCLUDED IN ASSEMBLY
- U.S. PATENT # 7,416,223



CAP, 1-1/2 NH (CHROME)

REPORT ERRORS & CHANGES
REMOVE ALL SHARP EDGES
UNLESS OTHERWISE SPECIFIED
ALL DIMENSIONS ARE IN INCHES

STANDARD TOLERANCES:

DECIMALS	ANGLES
.XX ± .030	± 1/2°
.XXX ± .015	

DRAWING NOT TO BE REPRODUCED OR USED TO MAKE OTHER DRAWINGS OR MACHINERY		COPYRIGHT ©	SIZE A	DWG NO.	REV
DRAWN BY	MS	DATE 11/02/2001	SCALE 1:1	01.005.9PC	
CHECKED BY	MS				SHEET 1 OF 1