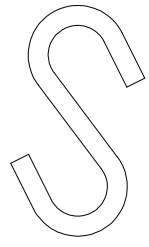
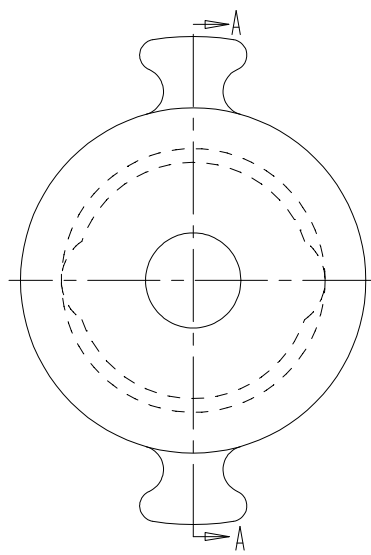
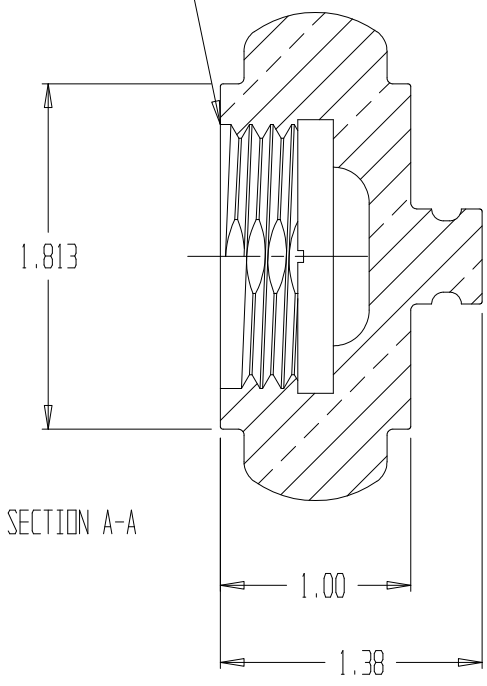


REVISIONS				
REV	DESCRIPTION	DATE	DRAWN BY	APPROVED

THREAD: 1-8 NH (FIRE HOSE THD)



S-HOOK (BEFORE CRIMP)  
MAT'L: STAINLESS

NOTES:

- 1) CHROME PLATED
- 2) MATERIAL: BRASS
- 3) RUBBER WASHER INCLUDED IN ASSEMBLY
- 4) 12" L X .250" Ø BALL BEAD CHAIN INCLUDED IN ASSEMBLY, NOT SHOWN (CHROME PLATED BRASS)



CAP, 1 NH ( CHROME )

REPORT ERRORS & CHANGES  
REMOVE ALL SHARP EDGES  
UNLESS OTHERWISE SPECIFIED  
ALL DIMENSIONS ARE IN INCHES

STANDARD TOLERANCES:

DECIMALS	ANGLES
.XX ± .030	± 1/2°
.XXX ± .015	

DRAWING NOT TO BE REPRODUCED OR USED TO MAKE OTHER DRAWINGS OR MACHINERY		COPYRIGHT ©	SIZE A	DWG NO.	REV
DRAWN BY	MS	DATE 09/09/2002	SCALE 1:1	01.081.0PC	
CHECKED BY	MS				SHEET 1 OF 1