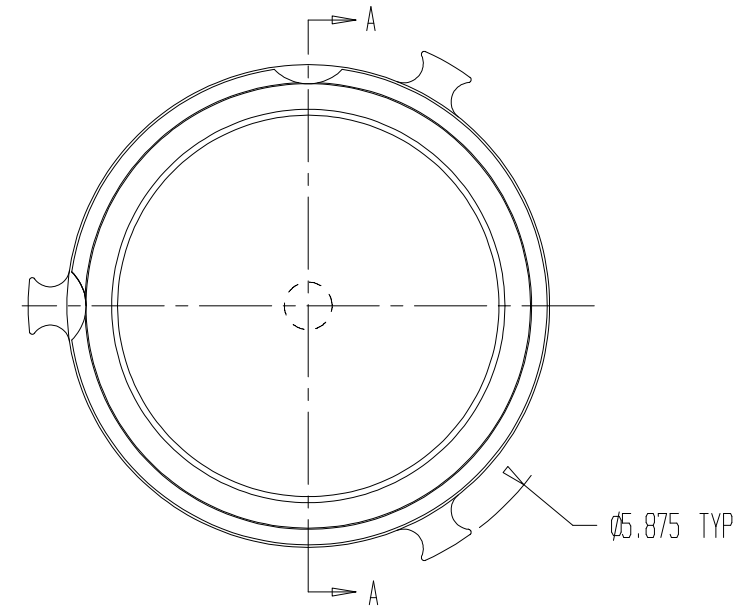
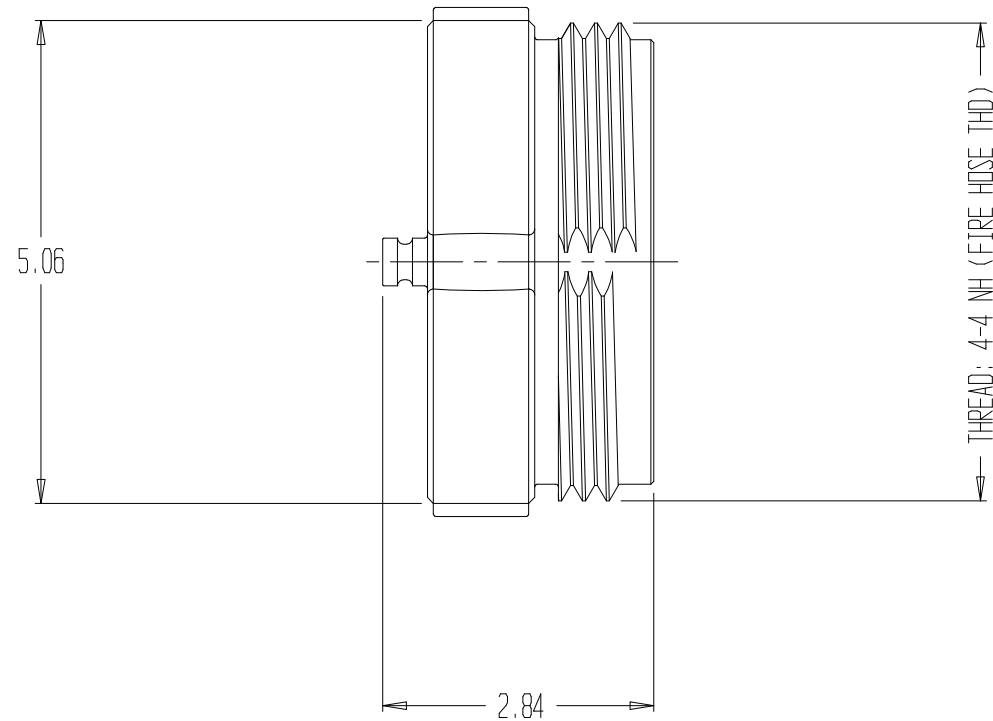


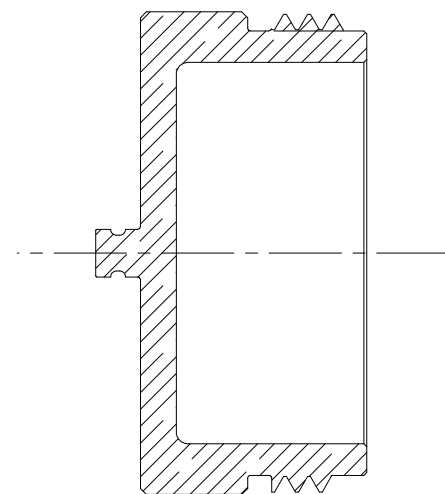
REVISIONS				
REV	DESCRIPTION	DATE	DRAWN BY	APPROVED



S-HOOK (BEFORE CRIMP)
MAT'L: STAINLESS

NOTES:

- 1) CHROME PLATED
- 2) MATERIAL: BRASS
- 3) 12" LG STAINLESS VINYL COATED CABLE INCLUDED IN ASSEMBLY, NOT SHOWN.



SECTION A-A

 EMERGENCY PRODUCTS, LLC		PLUG ASSEMBLY, 4" NH	
		REPORT ERRORS & CHANGES REMOVE ALL SHARP EDGES UNLESS OTHERWISE SPECIFIED ALL DIMENSIONS ARE IN INCHES	STANDARD TOLERANCES: DECIMALS .XX ± .030 .XXX ± .015 ANGLES ± 1/2°
COPYRIGHT © DRAWING NOT TO BE REPRODUCED OR USED TO MAKE OTHER DRAWINGS OR MACHINERY	SIZE . B	DWG NO. 01.045.10PC	REV .
DRAWN BY MS CHECKED BY MS	DATE 06/05/2002	SCALE 1:2	SHEET 1 OF 1