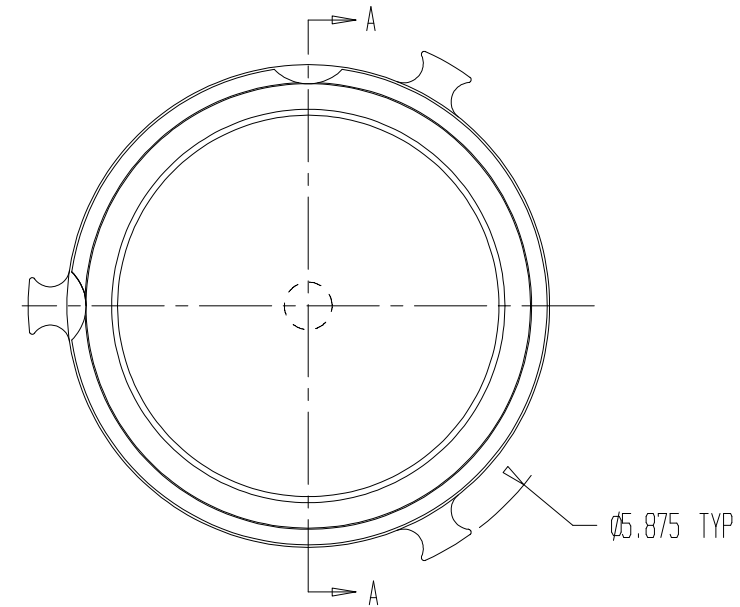
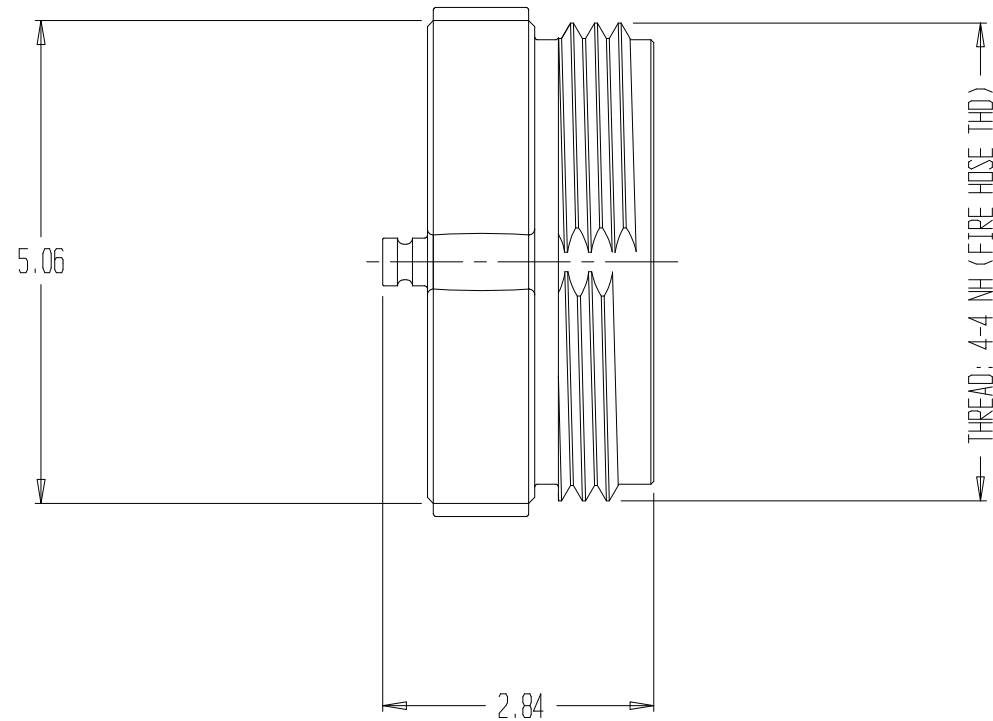
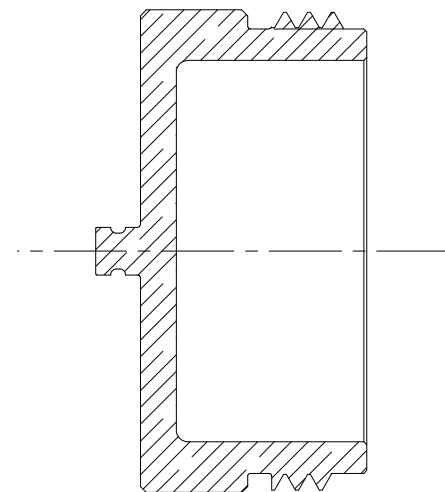


REVISIONS				
REV	DESCRIPTION	DATE	DRAWN BY	APPROVED



S-HOOK (BEFORE CRIMP)  
MAT'L: STAINLESS



SECTION A-A

NOTES:

- 1) CHROME PLATED
- 2) MATERIAL: BRASS
- 3) 12"L X .250"Ø BALL BEAD CHAIN INCLUDED IN ASSEMBLY, BUT NOT SHOWN (CHROME PLATED BRASS)

<p><b>TRIDENT</b> EMERGENCY PRODUCTS, LLC</p>	<p>PLUG ASSEMBLY, 4" NH</p>		
	<p>REPORT ERRORS &amp; CHANGES REMOVE ALL SHARP EDGES UNLESS OTHERWISE SPECIFIED ALL DIMENSIONS ARE IN INCHES</p>	<p>STANDARD TOLERANCES:</p> <p>DECIMALS: .XX ± .030 .XXX ± .015</p>	<p>ANGLES: ± 1/2°</p>
<p>COPYRIGHT © DRAWING NOT TO BE REPRODUCED OR USED TO MAKE OTHER DRAWINGS OR MACHINERY</p>	<p>SIZE: B</p>	<p>DWG NO.: 01.045.0PC</p>	<p>REV: .</p>
<p>DRAWN BY: MS CHECKED BY: MS</p>	<p>DATE: 06/05/2002</p>	<p>SCALE: 1:2</p>	<p>SHEET: 1 OF 1</p>