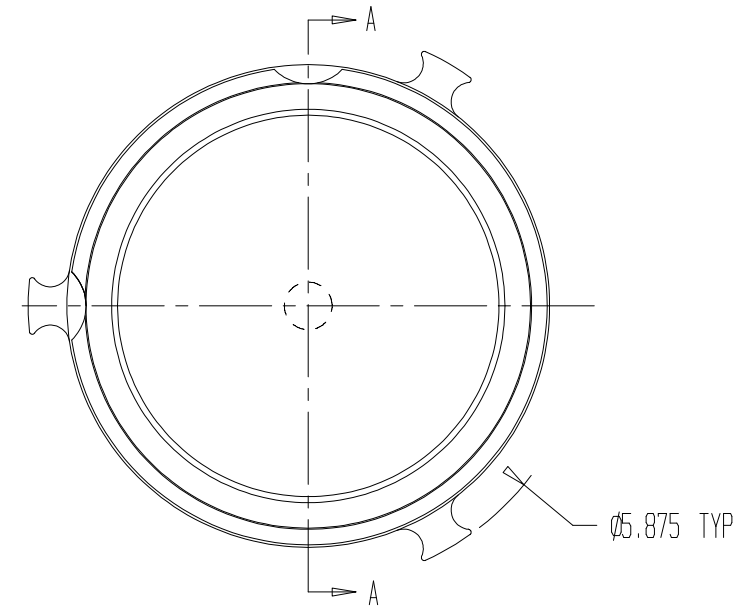
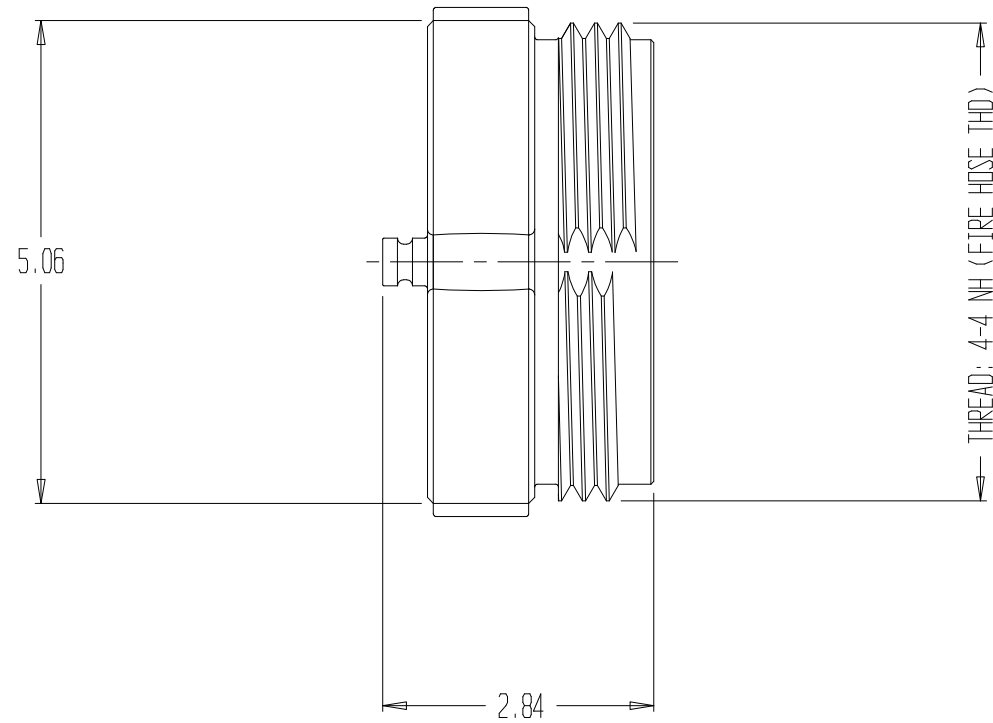
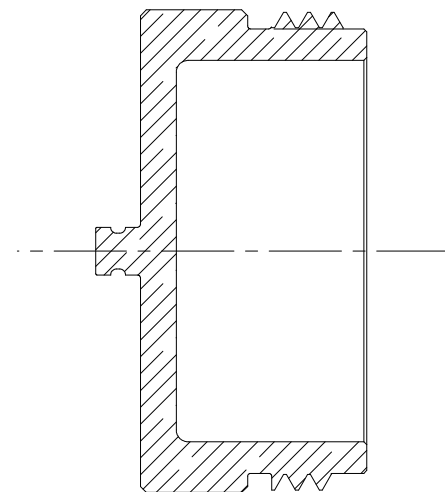


REVISIONS				
REV	DESCRIPTION	DATE	DRAWN BY	APPROVED




NOTES:

- 1) CHROME PLATED
 - 2) MATERIAL: BRASS
- U.S. PATENT
7,416,223



SECTION A-A

 EMERGENCY PRODUCTS, LLC	PLUG - 4" NH CHROME	
	<small>REPORT ERRORS & CHANGES REMOVE ALL SHARP EDGES UNLESS OTHERWISE SPECIFIED ALL DIMENSIONS ARE IN INCHES</small>	<small>STANDARD TOLERANCES:</small> <small>DECIMALS .XX ± .030 .XXX ± .015</small> <small>ANGLES ± 1/2°</small>
<small>COPYRIGHT © DRAWING NOT TO BE REPRODUCED OR USED TO MAKE OTHER DRAWINGS OR MACHINERY</small>	<small>SIZE .</small> B	<small>DWG NO.</small> 01.045.2PC <small>REV</small>
<small>DRAWN BY MS</small> <small>CHECKED BY MS</small>	<small>DATE</small> 06/05/2002 	<small>SCALE</small> 1:2 <small>SHEET</small> 1 OF 1