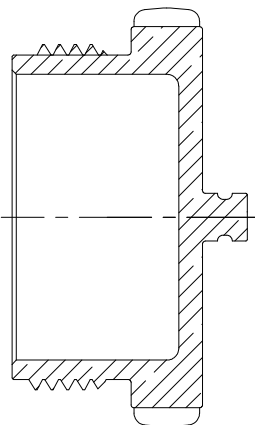
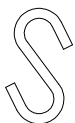
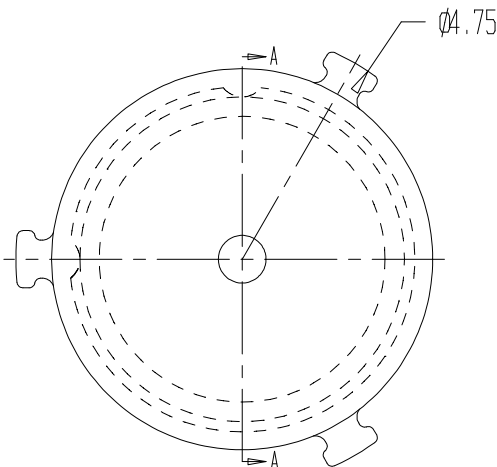
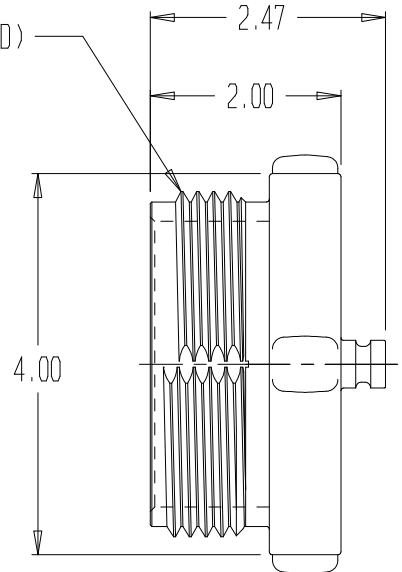


REVISIONS				
REV	DESCRIPTION	DATE	DRAWN BY	APPROVED

THREAD: 3-6 NH (FIRE HOSE THD)



SECTION A-A



S-HOOK (BEFORE CRIMP)
MAT'L: STAINLESS

NOTES:

- 1) CHROME PLATED
 - 2) MATERIAL: BRASS
 - 3) 12" LG STAINLESS VINYL COATED CABLE INCLUDED IN ASSEMBLY, BUT NOT SHOWN.
- U.S. PATENT
7,416,223



PLUG ASSY, 3" NH

REPORT ERRORS & CHANGES
REMOVE ALL SHARP EDGES
UNLESS OTHERWISE SPECIFIED
ALL DIMENSIONS ARE IN INCHES

STANDARD TOLERANCES:

DECIMALS	ANGLES
.XX ± .030	± 1/2°
.XXX ± .015	

DRAWING NOT TO BE REPRODUCED OR USED TO MAKE OTHER DRAWINGS OR MACHINERY		SIZE A	DWG NO. 01.022.10PC	REV
DRAWN BY MS	DATE 03/19/2002	SCALE 1:2	SHEET 1 OF 1	
CHECKED BY MS				