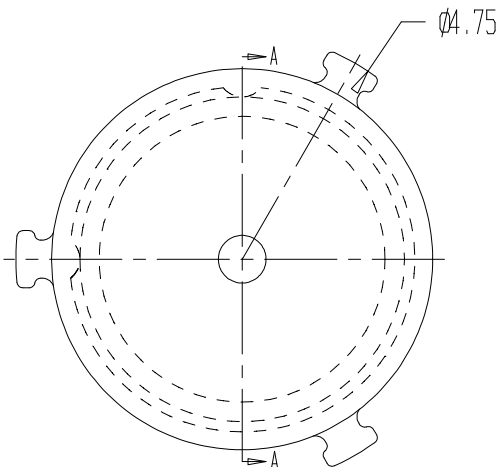
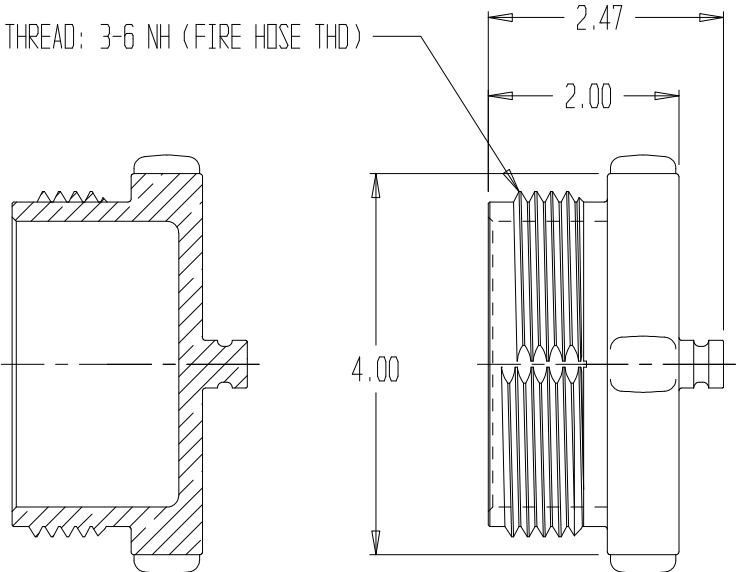


REVISIONS				
REV	DESCRIPTION	DATE	DRAWN BY	APPROVED

THREAD: 3-6 NH (FIRE HOSE THD)



SECTION A-A

NOTES:

- 1) CHROME PLATED
- 2) MATERIAL: BRASS



PLUG ASSY, 3" NH

REPORT ERRORS & CHANGES
 REMOVE ALL SHARP EDGES
 UNLESS OTHERWISE SPECIFIED
 ALL DIMENSIONS ARE IN INCHES

STANDARD TOLERANCES:

DECIMALS	ANGLES
.XX ± .030	± 1/2°
.XXX ± .015	

DRAWING NOT TO BE REPRODUCED OR USED TO MAKE OTHER DRAWINGS OR MACHINERY		SIZE A	DWG NO. 01.022.2PC	REV
DRAWN BY MS	DATE 03/19/2002	SCALE 1:2	SHEET 1 OF 1	
CHECKED BY MS				