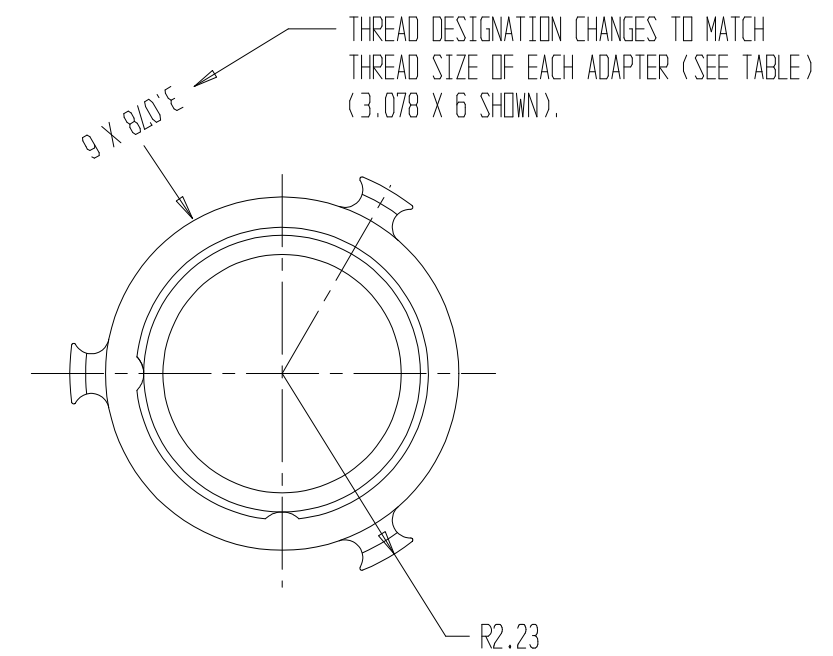
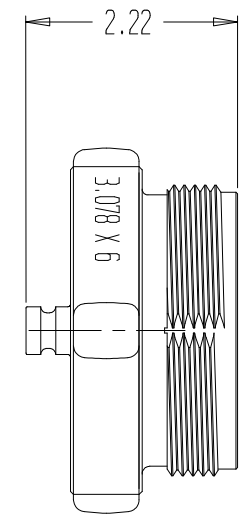


| PART NO. | THREAD FORM | PART NO. | THREAD FORM |
|-----------|----------------|-----------|---------------|
| 01.S07.0 | 3.095 X 6 TPI | 01.S07.40 | 3.312 X 8 TPI |
| 01.S07.2 | 3.078 X 6 TPI | 01.S07.41 | 3.234 X 5 TPI |
| 01.S07.3 | 3.078 X 8 TPI | | |
| 01.S07.4 | 3.125 X 7.5TPI | | |
| 01.S07.5 | 3.0625 X 6 TPI | | |
| 01.S07.6 | 3.00 X 8 TPI | | |
| 01.S07.7 | 3.234 X 6 TPI | | |
| 01.S07.8 | 3.156 X 6 TPI | | |
| 01.S07.9 | 3.055 X 6 TPI | | |
| 01.S07.10 | 3.093 X 8 TPI | | |
| 01.S07.11 | 2.843 X 8 TPI | | |
| 01.S07.12 | 3.073 X 6 TPI | | |
| 01.S07.13 | 3.281 X 8 TPI | | |
| 01.S07.14 | 3.125 X 6 TPI | | |
| 01.S07.15 | 3.040 X 8 TPI | | |
| 01.S07.16 | 3.030 X 8 TPI | | |
| 01.S07.17 | 3.06 X 7 TPI | | |
| 01.S07.18 | 3.125 X 5 TPI | | |
| 01.S07.19 | 3.156 X 8 TPI | | |
| 01.S07.20 | 3.062 X 7 TPI | | |
| 01.S07.21 | 3.340 X 6 TPI | | |
| 01.S07.22 | 3.031X 7 TPI | | |
| 01.S07.23 | 3.125 X 7 TPI | | |
| 01.S07.24 | . | | |
| 01.S07.25 | 3.230 X 5 TPI | | |
| 01.S07.26 | 3.234 X 6 TPI | | |
| 01.S07.27 | 2.953 X 7.5TPI | | |
| 01.S07.28 | 2.940 X 7.5TPI | | |
| 01.S07.29 | 3.175 X 6 TPI | | |
| 01.S07.30 | 3.165 X 7.5TPI | | |
| 01.S07.31 | 3.250 X 6 TPI | | |
| 01.S07.32 | 3.250 X 5 TPI | | |
| 01.S07.33 | 3.187 X 6 TPI | | |
| 01.S07.34 | 2.990 X 8 TPI | | |
| 01.S07.35 | 3.093 X 6 TPI | | |
| 01.S07.36 | 2.950 X 8 TPI | | |
| 01.S07.37 | 2.968 X 8 TPI | | |
| 01.S07.38 | 3.062 X 8 TPI | | |
| 01.S07.39 | 3.077 X 7 TPI | | |

| REVISIONS | | | | |
|-----------|-------------|------|----------|----------|
| REV | DESCRIPTION | DATE | DRAWN BY | APPROVED |
| | | | | |



NOTES:

- 1) CHROME PLATED
 - 2) ASSEMBLED WITH 12" LONG BEAD CHAIN
- U.S. PATENT # 7,416,223

| | | | |
|---|---|---|------------------------------|
| <p>EMERGENCY PRODUCTS, LLC</p> | 2.5" SPECIAL THD PLUG | | |
| | <small>REPORT ERRORS & CHANGES REMOVE ALL SHARP EDGES UNLESS OTHERWISE SPECIFIED ALL DIMENSIONS ARE IN INCHES</small> | <small>STANDARD TOLERANCES:</small> <small>DECIMALS .XX ± .030 .XXX ± .015</small> | <small>ANGLES ± 1/2°</small> |
| <small>COPYRIGHT © DRAWING NOT TO BE REPRODUCED OR USED TO MAKE OTHER DRAWINGS OR MACHINERY</small> | <small>SIZE .</small> B | <small>DWG NO.</small> 01.S07.XXPC | <small>REV</small> |
| <small>DRAWN BY MS CHECKED BY MS</small> | <small>DATE 10/24/2003</small> | <small>SCALE 1:2</small> | <small>SHEET 1 OF 1</small> |