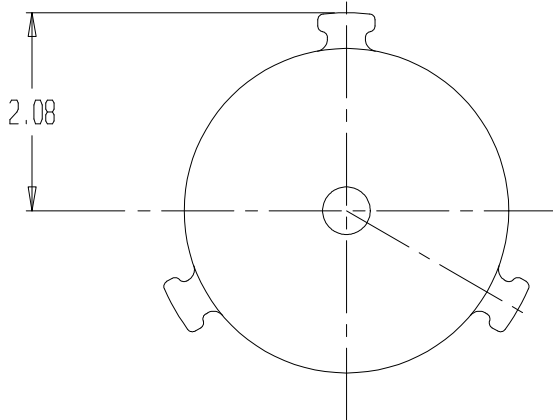
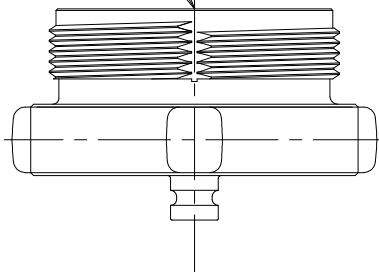
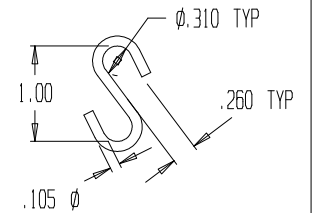


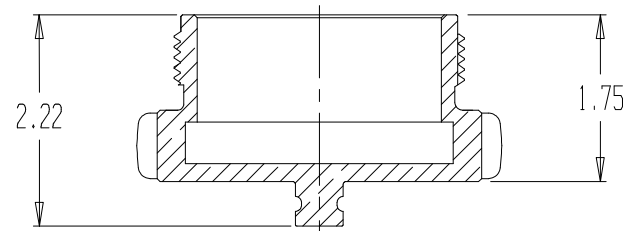
THREAD: 2.5-7.5 NH (FIRE HOSE THD)



| REVISIONS |             |      |          |          |
|-----------|-------------|------|----------|----------|
| REV       | DESCRIPTION | DATE | DRAWN BY | APPROVED |
|           |             |      |          |          |



S-HOOK (BEFORE CRIMP)  
MAT'L: STAINLESS



SECTION A-A

NOTES:

- 1) CHROME PLATED
- 2) MATERIAL: BRASS
- 3) 12" LG STAINLESS VINYL COATED CABLE INCLUDED IN ASSEMBLY, NOT SHOWN.

U.S. PATENT # 7,416,223



PLUG, 2.5 MNH - PLATED

REPORT ERRORS & CHANGES  
REMOVE ALL SHARP EDGES  
UNLESS OTHERWISE SPECIFIED  
ALL DIMENSIONS ARE IN INCHES

STANDARD TOLERANCES:  
DECIMALS .XX ± .030  
                  .XXX ± .015  
ANGLES ± 1/2°

COPYRIGHT ©  
DRAWING NOT TO BE REPRODUCED OR USED TO  
MAKE OTHER DRAWINGS OR MACHINERY

|            |    |      |            |
|------------|----|------|------------|
| DRAWN BY   | MS | DATE | 03/27/2002 |
| CHECKED BY | MS |      |            |

|       |     |              |             |     |  |
|-------|-----|--------------|-------------|-----|--|
| SIZE  | A   | DWG NO.      | 01.007.10PC | REV |  |
| SCALE | 1:2 | SHEET 1 OF 1 |             |     |  |