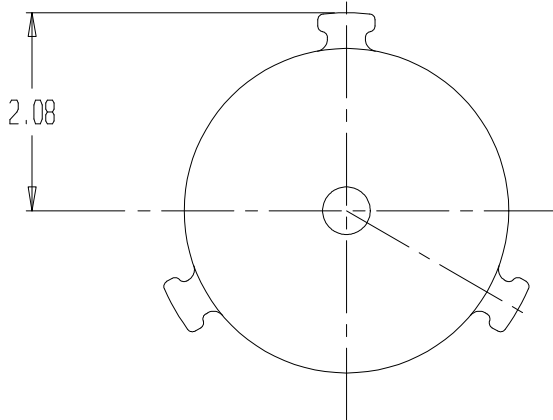
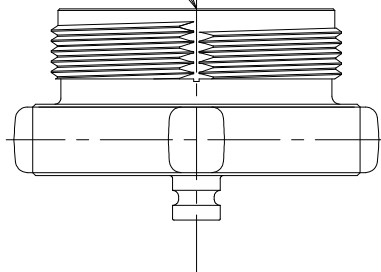
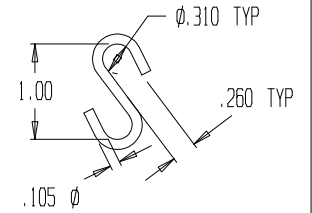


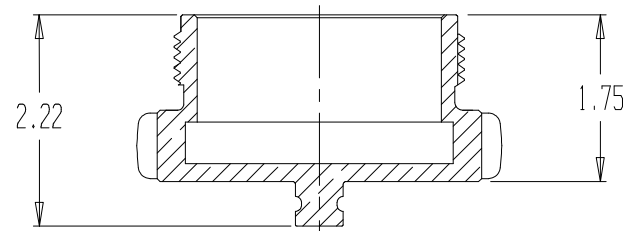
THREAD: 2.5-7.5 NH (FIRE HOSE THD)



REVISIONS				
REV	DESCRIPTION	DATE	DRAWN BY	APPROVED



S-HOOK (BEFORE CRIMP)  
MAT'L: STAINLESS



SECTION A-A

NOTES:

- 1) CHROME PLATED
  - 2) MATERIAL: BRASS
  - 3) 12" L X .250" Ø BALL BEAD CHAIN INCLUDED IN ASSEMBLY, NOT SHOWN (CHROME PLATED BRASS)
- U.S. PATENT # 7,416,223



PLUG, 2.5 MNH - PLATED

REPORT ERRORS & CHANGES  
REMOVE ALL SHARP EDGES  
UNLESS OTHERWISE SPECIFIED  
ALL DIMENSIONS ARE IN INCHES

STANDARD TOLERANCES:  
DECIMALS .XX ± .030  
                  .XXX ± .015  
ANGLES ± 1/2°

COPYRIGHT ©  
DRAWING NOT TO BE REPRODUCED OR USED TO  
MAKE OTHER DRAWINGS OR MACHINERY

DRAWN BY	MS	DATE	03/27/2002
CHECKED BY	MS		

SIZE	A	DWG NO.	01.007.0PC	REV	.
SCALE	1:2	SHEET 1 OF 1			