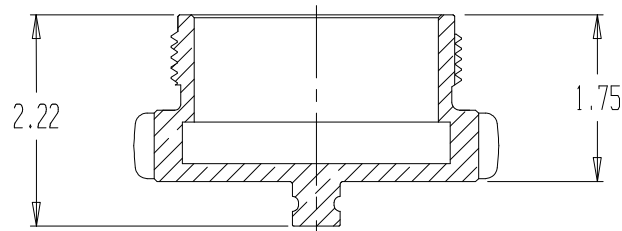
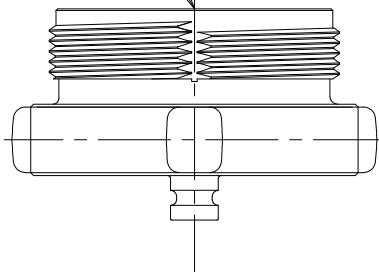


THREAD: 2.5-7.5 NH (FIRE HOSE THD)

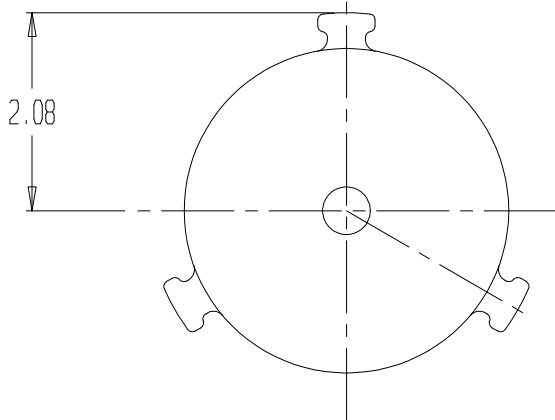


NOTES:

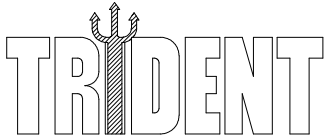
- 1) CHROME PLATED
- 2) MATERIAL: BRASS

U.S. PATENT # 7,416,223

SECTION A-A



REVISIONS				
REV	DESCRIPTION	DATE	DRAWN BY	APPROVED

 EMERGENCY PRODUCTS, LLC		PLUG, 2.5 MNH - PLATED		
		REPORT ERRORS & CHANGES REMOVE ALL SHARP EDGES UNLESS OTHERWISE SPECIFIED ALL DIMENSIONS ARE IN INCHES	STANDARD TOLERANCES: DECIMALS .XX ± .030 .XXX ± .015	ANGLES ± 1/2°
COPYRIGHT © DRAWING NOT TO BE REPRODUCED OR USED TO MAKE OTHER DRAWINGS OR MACHINERY		SIZE A	DWG NO. 01.007.2PC	SHEET 1 OF 1
DRAWN BY MS	CHECKED BY MS	DATE 03/27/2002	SCALE 1:2	SHEET 1 OF 1